

HONDA

PARTS CATALOG

CA77

H/C 37465

AMERICAN HONDA MOTOR CO., INC.
100 WEST ALONDRA BOULEVARD, GARDENA, CALIFORNIA

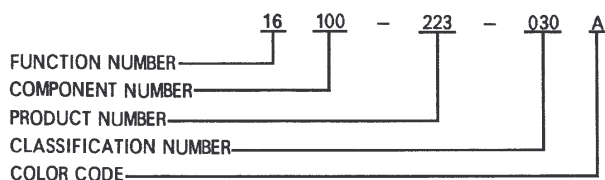
3rd EDITION

NOVEMBER, 1973

INSTRUCTION FOR USE OF PARTS CATALOG

PART NUMBERS

The following diagram defines the figures used in the new HONDA PART NUMBER SYSTEM.



When placing a parts order with AMERICAN HONDA, be sure to use the HONDA CODE (H/C) in conjunction with the PART NUMBER.

The HONDA CODE for each item shown will be listed directly to the left of the PART NUMBER. Those part numbers without HONDA CODE are not available.

ISO THREADED PARTS

Nominal Dia. (Size of Bolt or Nut)	Width Across Flats (Wrench Size)	
	Present J.I.S.	Modified J.I.S. (I.S.O.)
3 mm	6 mm	5.5 mm
4 mm	8 mm	7 mm
5 mm	9 mm	8 mm
6 mm	10 mm	10 mm
8 mm	14 mm	12 mm
10 mm	17 mm	14 mm
12 mm	19 mm	17 mm
14 mm	21 mm	19 mm
16 mm	23 mm	22 mm
18 mm	26 mm	24 mm
20 mm	29 mm	27 mm

New wrenches in the 5.5 mm, 7 mm, 12 mm, 22 mm, 24 mm and 27 mm sizes will be required for the modified bolts and nuts. All other sizes are currently in use.

This change in hex size affects only the wrench sizes; interchangeability of bolts and nuts is not affected.

Change in Thread Pitch – The standard thread pitches for all bolts, nuts, and screws in the 3 mm, 4 mm, 5 mm and 12 mm sizes are changed as indicated below:

Nominal Dia.	Thread Pitch	
	Present J.I.S.	Modified J.I.S. (I.S.O.)
3 mm	0.6	0.5
4 mm	0.75	0.7
5 mm	0.9	0.8
12 mm	1.5	1.25

These changes will affect the interchangeability of threaded parts in these sizes. Care must be taken to use the correct pitch to avoid stripping.

These changes will also require new taps and dies.

To help avoid confusion in the 3 mm, 4 mm, 5 mm and 12 mm size, wherein the thread pitch has been changed, the modified J.I.S. (I.S.O.) threaded parts used by Honda will be marked such that they can be readily identified. The marks used are as follows:

PART TYPE	DESCRIPTION OF MARKING
STD. HEX BOLT	A number, indicating the strength of the bolt, will be embossed on the top of the bolt head. This mark will appear on modified J.I.S. (I.S.O.) bolts of all sizes , but as explained above all sizes except 4 mm, 5 mm, and 12 mm (there are no 3 mm hex bolts) will interchange with the present J.I.S. parts.
SLOTTED HEX BOLT	There will be a hemispherical embossment (bump) on the top of the bolt head in the 4 mm and 5 mm sizes (3 mm and 12 mm slotted hex bolts are not in use).
CAP BOLT	There will be a hemispherical dimple on the side of the bolt head in the 4 mm, 5 mm and 12 mm sizes (3 mm not in use).
STUD BOLT	There will be a hemispherical dimple or embossment on the nut end in the 5 mm and 12 mm sizes (3 mm and 4 mm studs are not in use).
ALL CROSS RECESS SCREWS	There will be a hemispherical embossment on the top of the screw head in the 3 mm, 4 mm and 5 mm sizes (12 mm not used).

ALL NUTS There will be a hemispherical dimple on **either the top or side** of the nut in all sizes with changed pitch. This will also apply to nuts that are permanently welded to other parts.

All mechanics and parts department personnel should read and understand this change-over, to avoid confusion and damage to threaded parts.

ENGINE AND FRAME SERIAL NUMBERS

The engine and frame numbers should be checked prior to ordering parts for a specific motorcycle. HONDA engine numbers are located on the left portion of the engine and frame numbers on the left side of the frame body.

Parts list serial numbers are coded (E) for ENGINE and (F) for FRAME to assist you in identification.

Modified parts will show ENGINE or FRAME serial number in the remark column. These numbers will designate the start (FROM) and finish (TO) production run for that item listed to its left.

Newly introduced items will be listed from initial part installation serial numbers.

ILLUSTRATIONS

To aid identification of PARTS, (exploded) illustrations are incorporated in this catalogue. Available items in the illustrations are identified by NUMBERS which correspond with the PARTS descriptions on the PARTS list.

A separate PARTS list is provided for each illustration. Reference numbers on the PARTS list duplicate identification numbers on the illustration for assistance in choosing the correct PART. Addition to the numerical reference numbers, we have used numeral-alphabet reference numbers for the convenience of adding new PARTS to the PARTS list.

Find the illustration of PART you require and check the accompanying PARTS list for its HONDA CODE, NEW PART NUMBER, DESCRIPTION, etc.

PARTS RETURN

PARTS may not be returned to AMERICAN HONDA without prior written authorization. Written authorization may be obtained by writing to AMERICAN HONDA MOTOR CO., INC., 100 West Alondra Blvd., Gardena, California 90247. We will correct any error which we were of primary fault. This would cover damaged

PARTS, (not caused in mishandling by the delivery source), wrong parts, incorrect quantities, etc. Advise us of discrepancies within five (5) days of receipt. AMERICAN HONDA is not responsible for PARTS – returned to us without written authorization.

ADDITIONAL INFORMATION

1. Dimensions of the PARTS in this catalogue are indicated in millimeter units.
2. L or R in the description of a PART stands for the LEFT hand side or the RIGHT hand side, which is decided by the direction of travel of the vehicle.
3. Many standard items, SPARK PLUGS, BOLTS, NUTS, WASHERS, PINS, which are in constant use are sold in multiples of ten and consideration when placing your order is advised.

4. ABBREVIATIONS

ASSY. – Assembly
COMP. – Complete

REF. – Reference
HEX. – Hexagonal

ADJ. – Adjusting
STD. – Standard

CONTENTS

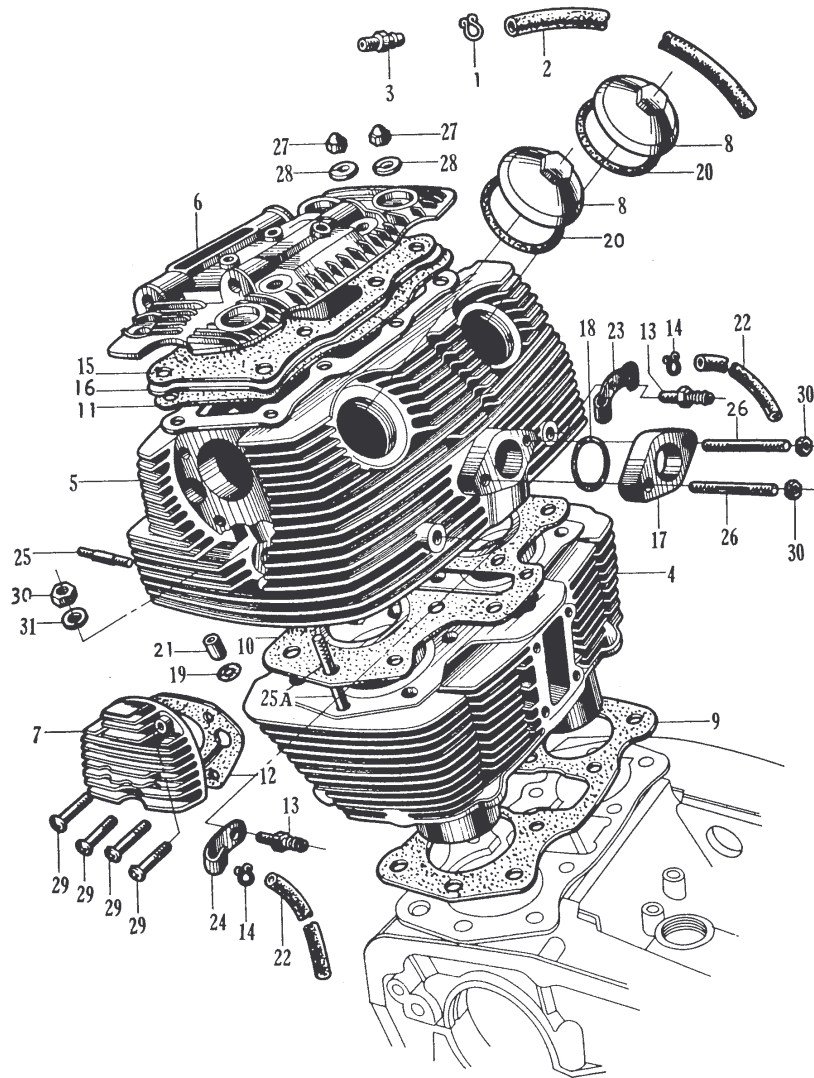
ENGINE

	PAGE
CYLINDER · CYLINDER HEAD.....	2
CRANKSHAFT · PISTON.....	6
CAMSHAFT · VALVE · CAM CHAIN.....	10
UPPER & LOWER CRANKCASE.....	14
CLUTCH · LEFT CRANKCASE COVER.....	18
TRANSMISSION.....	22
GEAR CHANGE.....	24
KICK STARTER ARM · RIGHT CRANKCASE COVER.....	26
OIL PUMP · OIL SEPARATOR.....	30
MAGNETO · STARTER MOTOR.....	34
CONTACT BREAKER.....	38
CARBURETOR.....	40

FRAME

HANDLE BAR (1).....	42
HANDLE BAR (2).....	44
FRONT CUSHION.....	48
FRONT FORK · FRONT FENDER.....	52
FUEL TANK.....	56
FRAME BODY.....	60
DUAL SEAT.....	62
MAIN STAND · STEP BAR.....	66
EXHAUST PIPE · MUFFLER.....	70
AIR CLEANER · TOOL CASE · TOOLS.....	72
REAR FORK · CHAIN CASE.....	76
REAR CUSHION.....	80
FRONT WHEEL.....	82
REAR WHEEL.....	86
HEADLIGHT · SPEEDOMETER.....	90
TAILLIGHT.....	92
DIMMER SWITCH · STARTER SWITCH (1).....	94
DIMMER SWITCH · STARTER SWITCH (2).....	96
WIRE HARNESS · BATTERY.....	98
DISTRIBUTION BOX.....	100
GASKET SET.....	102

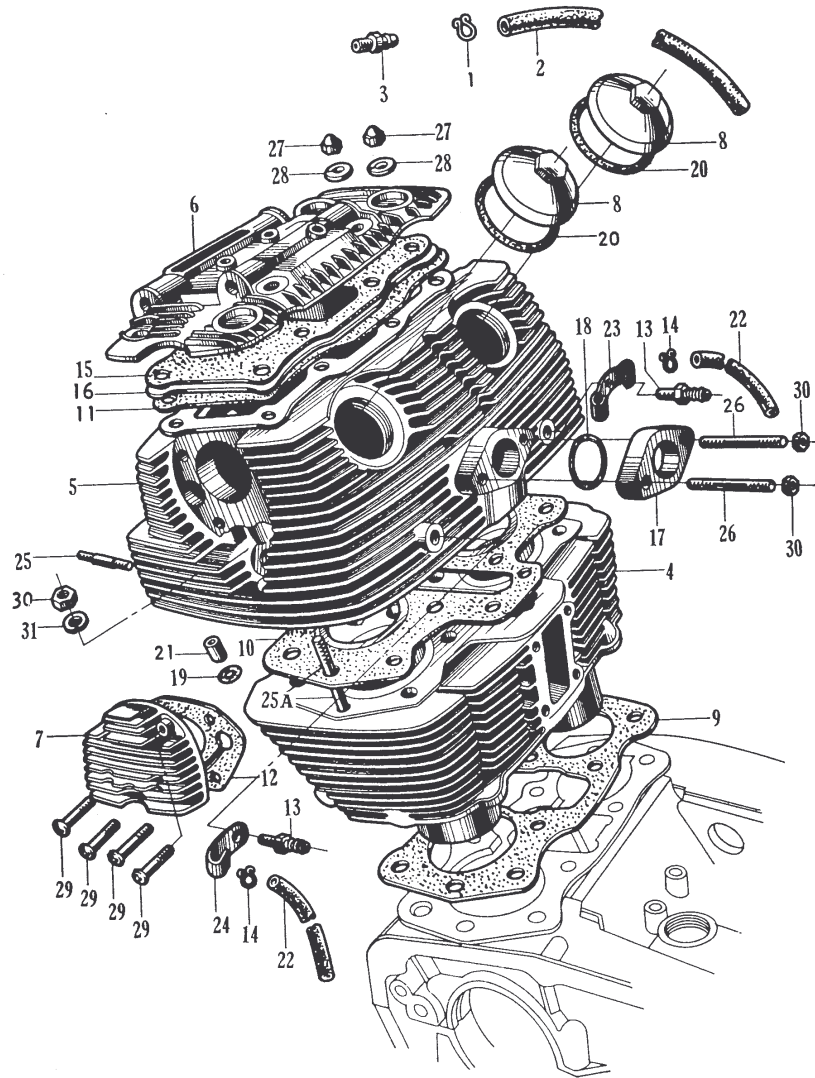
Cylinder . Cylinder Head



CYLINDER . CYLINDER HEAD

Ref. No.	H/C	Part Number	Description	CA77	Remarks
1	03519	15772-259-000	CLIP, BREATHER TUBE.....	1	E CA77E-110901 TO CA77E-210850
2	03520	15761-259-000	TUBE, BREATHER.....	1	E CA77E-110901 TO CA77E-210850
	03521	15761-259-010	TUBE, BREATHER.....	1	E CA77E-100001 TO CA77E-109000 E CA77E-210851 TO
3	03523	15766-259-000	JOINT, BREATHER.....	1	E CA77E-100001 TO CA77E-109000
4	03543	12100-267-000	CYLINDER.....	1	E CA77E-110001 TO CA77E-210847
	03544	12100-267-010	CYLINDER.....	1	E CA77E-100001 TO CA77E-109000 E CA77E-210848 TO CA77E-1036506
	11897	12100-267-020	CYLINDER.....	1	E CA77E-1036507 TO
5	11940	12200-266-020	HEAD, CYLINDER.....	1	
6	03553	12300-259-000	COVER, CYLINDER HEAD.....	1	E CA77E-110001 TO CA77E-110900
	03554	12300-259-030	COVER, CYLINDER HEAD.....	1	E CA77E-100001 TO CA77E-109000 E CA77E-110901 TO
7	03563	12341-259-010	COVER, LEFT, CYLINDER HEAD SIDE.....	1	E CA77E-110001 TO CA77E-312555
	03564	12341-259-020	COVER, LEFT, CYLINDER HEAD SIDE.....	1	E CA77E-100001 TO CA77E-109000 E CA77E-312556 TO
8	03567	12361-259-000	CAP, CYLINDER HEAD.....	4	
9	03574	12191-259-000	PACKING, CYLINDER.....	1	E CA77E-110001 TO CA77E-210847
	03575	12191-259-010	PACKING, CYLINDER.....	1	E CA77E-100001 TO CA77E-109000 E CA77E-210848 TO
10	03578	12251-275-000	GASKET, CYLINDER HEAD.....	1	
11	03579	12391-259-000	PACKING, CYLINDER HEAD COVER.....	1	
12	03580	12391-258-000	PACKING, CYLINDER HEAD SIDE COVER.....	1	
13	03581	16241-253-000	JOINT, AIR VENT TUBE.....	2	E CA77E-110001 TO CA77E-1036537
14	03582	16242-259-000	CLIP, AIR VENT TUBE.....	2	E CA77E-110001 TO CA77E-1036537
15	03583	15759-259-000	PACKING, BREATHER SHIELD PLATE.....	1	E CA77E-110901 TO CA77E-210850
16	03584	15755-259-000	PLATE, BREATHER SHIELD.....	1	E CA77E-110901 TO CA77E-210850
17	03585	16211-259-000	INSULATOR, CARBURETOR.....	1	E CA77E-110001 TO CA77E-110608
	03586	16211-259-020	INSULATOR, CARBURETOR.....	1	E CA77E-100001 TO CA77E-109000 E CA77E-110609 TO
18	03589	91301-253-000	O RING, 28.5MM.....	1	
19	03590	91303-259-000	O RING, 11X2.0.....	2	
20	03591	91302-250-010	O RING, 47MM.....	4	
21	03592	90707-259-000	PIN, KNOCK, 11X18.....	2	
22	03593	16231-259-000	TUBE, AIR VENT.....	1	E CA77E-110001 TO CA77E-1036537
23	03811	32907-259-000	HOLDER, RIGHT, HIGH TENSION CORD.....	1	
24	03813	32908-259-000	HOLDER, LEFT, HIGH TENSION CORD.....	1	
25	05866	92700-06035	BOLT, STUD, 6X35.....	4	E CA77E-1036747 TO
	14142	90045-259-000	BOLT, STUD, 6X40.....	4	E CA77E-1036747 TO
25A	05866	92700-06035	BOLT, STUD, 6X35.....	2	

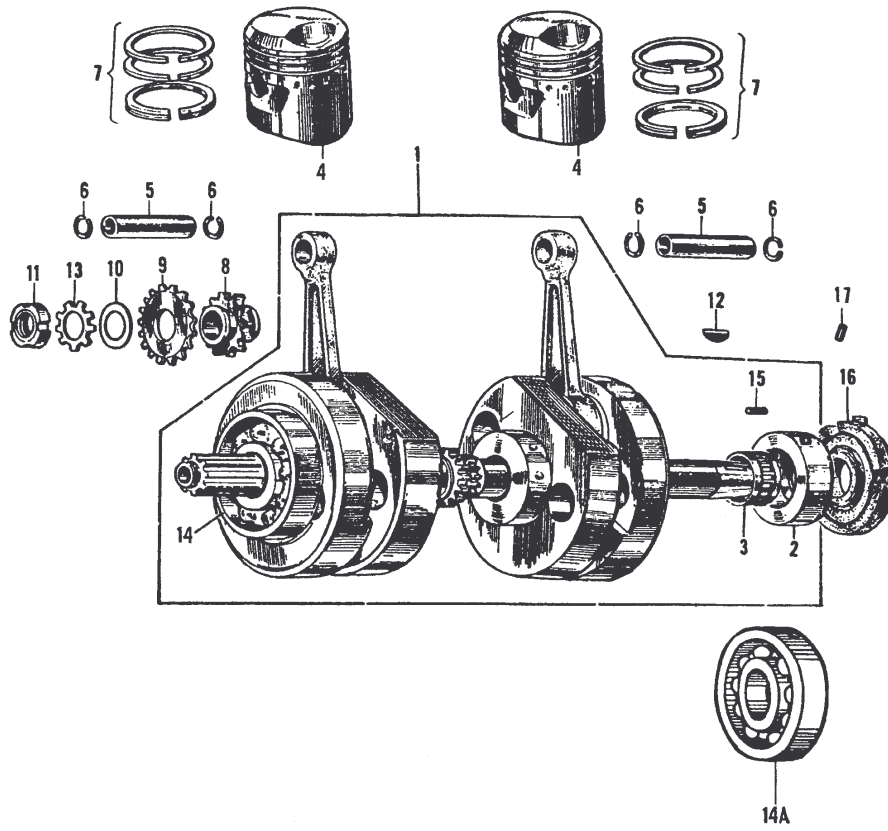
Cylinder . Cylinder Head



CYLINDER . CYLINDER HEAD

Ref. No.	H/C	Part Number	Description	CA77	Remarks
26	07407	90041-259-000	(Superseded by 92700-0604010)	2	
	07407	92700-0604010	STUD BOLT, 6x40	2	
27	04016	90281-259-000	NUT, cap, 8 mm	8	
28	04026	90441-259-000	WASHER, sealing, 8 mm	8	E CA77E-100001 TO CA77E-109000
	08086	90482-259-000	WASHER, 8 mm	8	E CA77E-100001 TO CA77E-109000
29	05747	93500-06018	SCREW, pan, 6x18	4	E CA77E-110001 TO CA77E-210847
30	05801	94001-06000	NUT, hex, 6 mm	4	E CA77E-100001 TO CA77E-109000
31	05907	94101-06000	WASHER, plain, 6 mm	2	

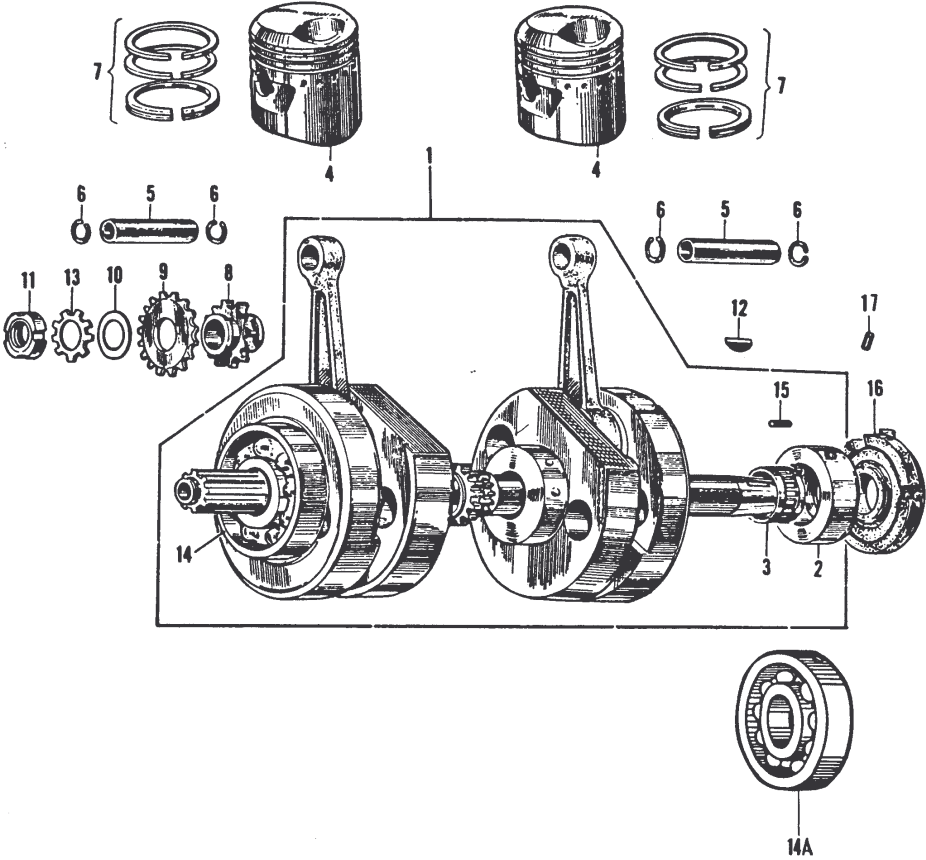
Crankshaft . Piston



Crankshaft . Piston

Ref. No.	H/C	Part Number	Description	CA77	Remarks
1	03606	13000-266-000	CRANKSHAFT ASSY.....	1	E CA77E-110001 TO CA77E-210850
	03607	13000-266-010	CRANKSHAFT ASSY..... (SUPERSEDED BY 13000-266-020)	1	E CA77E-100001 TO CA77E-109000
	13093	13000-266-020	CRANKSHAFT ASSY.....	1	E CA77E-1036747 TO
2		13411-268-010	NOT AVAILABLE USE, 13411-268-020.....		
	13572	13411-268-020	RACE, OUTER, RIGHT CRANK BEARING.....	1	
3	03612	13481-268-010	RETAINER, RIGHT CRANK ROLLER.....	1	E CA77E-100001 TO CA77E-109000 E CA77E-210857 TO
4		13101-266-010	NOT AVAILABLE USE 13101-266-020.....		
		13102-266-010	NOT AVAILABLE USE, 13102-266-020.....		
		13103-266-010	NOT AVAILABLE USE, 13103-266-020.....		
		13104-266-010	NOT AVAILABLE USE, 13104-266-020.....		
		13105-266-010	NOT AVAILABLE USE, 13105-266-020.....		
	03633	13101-266-020	PISTON STD.....	2	
	03634	13102-266-020	PISTON 0.25.....	2	
	03635	13103-266-020	PISTON 0.50.....	2	
	03636	13104-266-020	PISTON 0.75.....	2	
	03637	13105-266-020	PISTON 1.00.....	2	
5	03645	13111-251-000	PIN, PISTON.....	2	
	03646	13112-251-305	PIN, PISTON.....	2	
6	03647	13115-250-010	CLIP, PISTON PIN.....	4	
7	03668	13010-266-000	RING SET, PISTON STD.....	1	
	03669	13020-266-000	RING SET, PISTON 0.25.....	1	
	03670	13030-266-000	RING SET, PISTON 0.50.....	1	
	03671	13040-266-000	RING SET, PISTON 0.75.....	1	
	03672	13050-266-000	RING SET, PISTON 1.00.....	1	
	03678	13012-275-000	RING SET, PISTON STD.....	1	
	03679	13022-275-000	RING SET, PISTON 0.25.....	1	
	03680	13032-275-000	RING SET, PISTON 0.50.....	1	
	03681	13042-275-000	RING SET, PISTON 0.75.....	1	
	03682	13052-275-000	RING SET, PISTON 1.00.....	1	
8	13078	13611-259-020	SPROCKET, PRIMARY DRIVE.....	1	
9	03684	13621-259-010	SPROCKET, OIL FILTER DRIVE.....	1	
10	03685	13692-259-000	SPRING, FILTER DRIVE SPROCKET.....	1	
11	04015	90231-259-010	NUT, LOCK, 20MM.....	1	
12	04018	90741-253-000	KEY, WOODRUFF, 4MM.....	1	
13	04028	90431-259-010	WASHER, LOCK, 20MM.....	1	
14	04031	91001-259-010	BEARING, BALL, 6306.....	1	E CA77E-110001 TO CA77E-110300

Crankshaft . Piston



Crankshaft . Piston

Ref. No.	H/C	Part Number	Description	CA77	Remarks
	04032	91001-259-020	BEARING, BALL, 6306.....	1	E CA77E-100001 TO CA77E-109000 E CA77E-110301 TO
14A	04033	91002-259-010	BEARING, BALL, 63062.....	1	E CA77E-110001 TO CA77E-210850
15		91101-268-000	NOT AVAILABLE USE, 96220-40100.....		
	21605	96220-40100	ROLLER, 4x10.....	20	E CA77E-100001 TO CA77E-109000 E CA77E-210851 TO
16	04046	91201-259-000	OIL SEAL, 326575.....	1	
17	03511	90701-259-010	PIN, KNOCK, 7X5X12.....	1	E CA77E-100001 TO CA77E-109000 E CA77E-210851 TO CA77E-1036746
	03509	90705-259-020	PIN, KNOCK, 7X12.....	1	E CA77E-1036747 TO

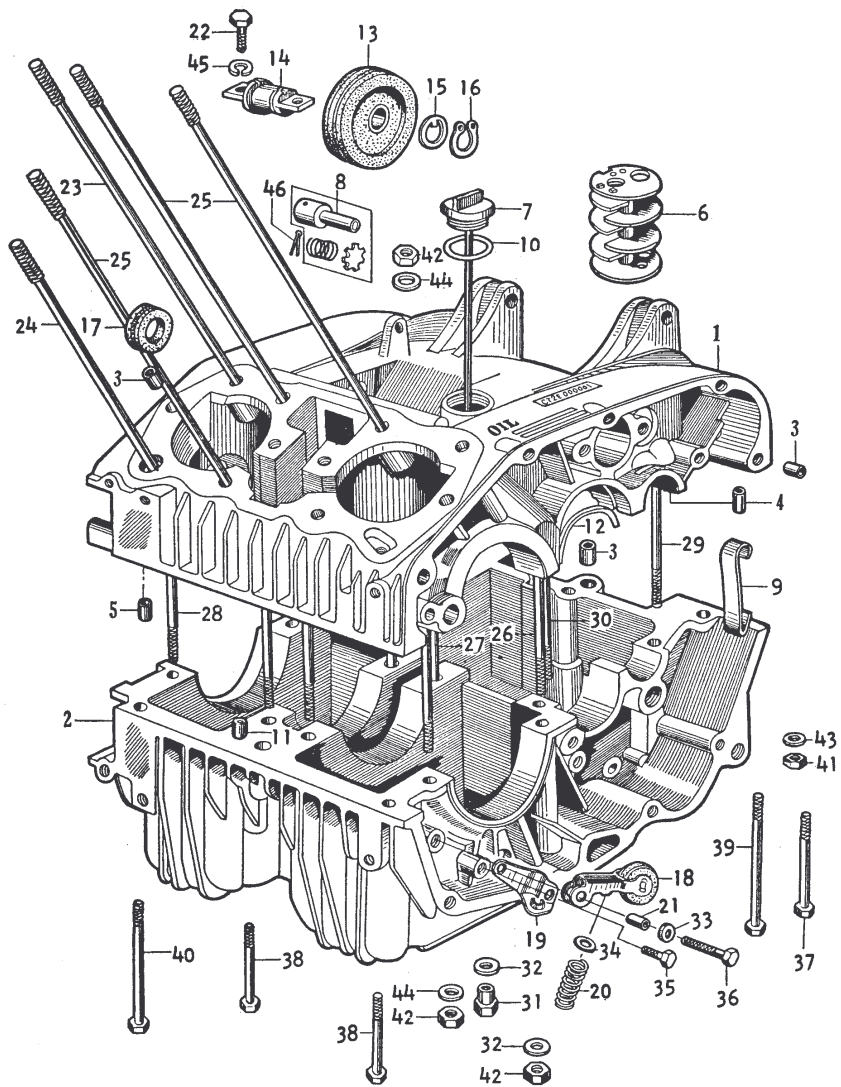
Camshaft . Valve . Cam Chain

Ref. No.	H/C	Part Number	Description	CA77	Remarks
1	03548	12021-259-000	GUIDE, INLET VALVE.....	2	
2	03550	12023-259-000	GUIDE, EXHAUST VALVE.....	2	
3	03545	12211-250-310	CLIP, VALVE GUIDE.....	4	
4	03686	14111-259-020	CAMSHAFT, RIGHT.....	1	E CA77E-110001 TO CA77E-210000
	03687	14111-259-030	CAMSHAFT, RIGHT.....	1	E CA77E-100001 TO CA77E-109000
5	03690	14320-259-040	SPROCKET, CAM.....	1	E CA77E-100001 TO CA77E-213875 E CA77E-213876 TO
5A	08936	14329-259-310	SPRING, GOVERNOR.....	1	
6	03692	14121-259-020	CAMSHAFT, LEFT.....	1	E CA77E-110001 TO CA77E-210000
	13440	14121-259-040	CAMSHAFT, LEFT.....	1	E CA77E-100001 TO CA77E-109000 E CA77E-210001 TO
7	03696	30310-259-030	SHAFT, POINT.....	1	E CA77E-110001 TO CA77E-403384
	07249	30310-259-040	SHAFT, POINT.....	1	E CA77E-100001 TO
8	03698	90601-259-000	SET RING, 11MM.....	1	
9	03699	90205-259-000	NUT, CAMSHAFT LOCKING.....	1	E CA77E-110001 TO CA77E-213875
	03700	90205-259-010	NUT, CAMSHAFT LOCKING.....	1	E CA77E-100001 TO CA77E-109000 E CA77E-213876 TO
10	03701	90008-259-000	BOLT, CAMSHAFT LOCKING.....	1	
11	03703	14401-259-003	CHAIN, CAM DK219, 94L.....	1	
12	03704	14411-259-000	JOINT, CAM CHAIN DK219.....	1	
13	03709	14500-259-000	TENSIONER, CAM CHAIN.....	1	E CA77E-110001 TO CA77E-103650
13A	11898	14500-259-010	TENSIONER, CAM CHAIN.....	1	E CA77E-1036507 TO
14	03711	14541-258-010	SPRING, CAM CHAIN TENSIONER.....	1	E CA77E-1036507 TO
14A	11900	14541-259-000	SPRING, CAM CHAIN TENSIONER.....	1	E CA77E-1036507 TO
15	03712	14551-259-000	BAR, CAM CHAIN TENSIONER BUSHING PUSHING...	1	E CA77E-110001 TO CA77E-103650
15A	11901	14551-259-010	BAR, CAM CHAIN TENSIONER PUSHING.....	1	E CA77E-1036507 TO
16	03713	14591-258-000	PACKING, CAM CHAIN TENSIONER.....	1	E CA77E-110001 TO CA77E-130650
16A	11902	14591-259-000	PACKING, CAM CHAIN TENSIONER.....	1	E CA77E-1036507 TO
17	03719	14431-268-305	ARM, VALVE ROCKER.....	4	
18	03720	90012-258-000	SCREW, TAPPET ADJUSTING.....	4	
19	03721	14451-259-010	PIN, INLET ROCKER ARM.....	2	
20	03722	14461-259-010	PIN, EXHAUST ROCKER ARM.....	2	
21	03723	14711-259-010	VALVE, INLET.....	2	
22	03726	14721-259-000	VALVE, EXHAUST.....	2	E CA77E-100001 TO CA77E-1025860
	11608	14721-268-000	VALVE, EXHAUST.....	2	E CA77E-1025861 TO
23	03728	14751-259-010	SPRING, VALVE OUTER.....	4	
24	03730	14761-259-010	SPRING, VALVE INNER.....	4	
25	03732	14771-259-000	RETAINER, VALVE SPRING.....	4	E CA77E-100001 TO CA77E-210000 E CA77E-210001 TO

Camshaft . Valve . Cam Chain

Ref. No.	H/C	Part Number	Description	CA77	Remarks
26	03733	14775-259-000	SEAT, VALVE SPRING.....	4	
27	03734	14781-253-010	COTTER, VALVE.....	8	
28	05919	98056-60410	PLUG, SPARK, C10H.....	2	E CA77E-110001 TO CA77E-210100
		12115 98066-58714	PLUG, SPARK, D-8HS.....	2	E CA77E-100001 TO CA77E-109000 E CA77E-210101 TO
29	04013	90206-250-000	NUT, TAPPET ADJUSTING.....	4	
30	04019	90009-259-000	BOLT, TENSIONER ADJUST.....	1	
31	05318	96100-60040	BEARING, BALL, 6004.....	4	
32	05432	92000-06025	BOLT, HEX., 6X25.....	4	
33		94001-06000	NOT AVAILABLE USE, 94001-06000-0S.....		
	15606	94001-06000-0S	NUT, HEX., 6MM.....	2	
34	05897	94111-06000	WASHER, SPRING, 6MM.....	1	
35	11903	90445-259-000	WASHER, 8.1MM.....	1	E CA77E-1036507 TO
36	11904	91306-259-000	O RING, 7.4X2.4MM.....	1	E CA77E-1036507 TO

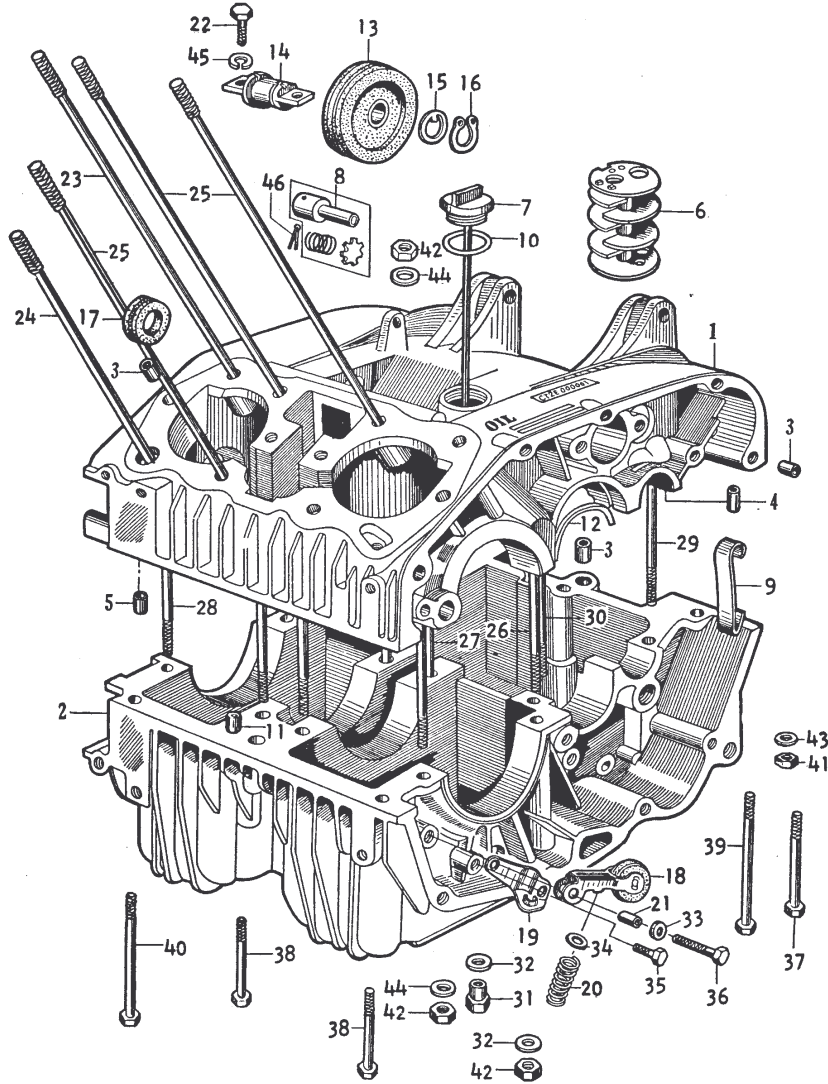
Upper & Lower Crankcase



Upper . Lower Crankcase

Ref. No.	H/C	Part Number	Description	CA77	Remarks	
1		11100-266-010	NOT AVAILABLE USE, 11100-259-315.....			
08569		11100-259-315	CRANKCASE UPPER.....	1	E CA77E-110001 TO CA77E-110900	
		11100-266-030	NOT AVAILABLE USE, 11100-259-325.....			
08570		11100-259-325	CRANKCASE, UPPER.....	1	E CA77E-110901 TO CA77E-210847	
03488		11100-266-050	CRANKCASE, UPPER.....	1	E CA77E-100001 TO CA77E-109000	
2		03494	11200-259-030	CRANKCASE, LOWER.....	1	E CA77E-110001 TO CA77E-110900
		03495	11200-259-060	CRANKCASE, LOWER.....	1	E CA77E-100001 TO CA77E-109000 E CA77E-110901 TO
3		06933	94301-10140	PIN, KNOCK, 10X14.....	6	
4		03509	90705-259-020	PIN, KNOCK, 7X12.....	5	
5		03511	90701-259-010	PIN, KNOCK, 7X5X12.....	1	
6		03513	15721-259-000	BODY, BREATHER.....	1	
7		03514	15650-259-000	GAUGE, OIL LEVEL.....	1	
8		03515	15730-259-000	VALVE, BREATHER.....	1	
9		03516	15725-259-000	SPRING, BREATHER SUPPORTING.....	1	
10		03528	91301-250-000	O RING, 22MM.....	1	
11			90706-259-000	NOT AVAILABLE USE, 94301-10200.....		
		08098	94301-10200	PIN, KNOCK, 10X20.....	2	
12		03538	13491-259-000	SET RING, BREATHER, 62MM.....	2	
13		03705	14611-250-310	ROLLER, CAM CHAIN GUIDE.....	1	
14		14140	14612-250-300	PIN, CAM CHAIN GUIDE ROLLER.....	1	
15		03706	14615-250-300	WASHER, 14MM.....	1	
16		03707	14616-250-300	CIRCLIP, 13MM..... (SUPERSEDED BY 94510-14000)	1	
		21338	94510-14000	CIRCLIP, 14MM.....	1	
17		03821	32951-250-000	GROMMET, LOW TENSION CORD.....	1	
18		03927	23170-259-000	TENSIONER, PRIMARY CHAIN.....	1	
19		03928	23942-259-000	SEAT, SPRING.....	1	
20		03929	23181-259-000	SPRING, PRIMARY CHAIN TENSIONER.....	1	
21		03930	23912-259-000	PIECE, DISTANCE.....	1	
22		04002	90081-253-000	BOLT, KNOCK, 6MM.....	2	
23		04004	90031-259-010	STUD A, CYLINDER.....	2	E CA77E-110001 TO CA77E-318407
		04005	90031-259-020	STUD A, CYLINDER.....	2	E CA77E-100001 TO CA77E-109000
24		05887	92700-08262-35	STUD, 8X262.....	2	
25		05888	92700-08267-35	STUD, 8X267.....	4	
26		04008	90063-259-000	STUD, 8X128.....	1	
27		05882	92700-08096-30	STUD, 8X96.....	2	
28		04011	90062-259-000	STUD, 8X116.....	5	

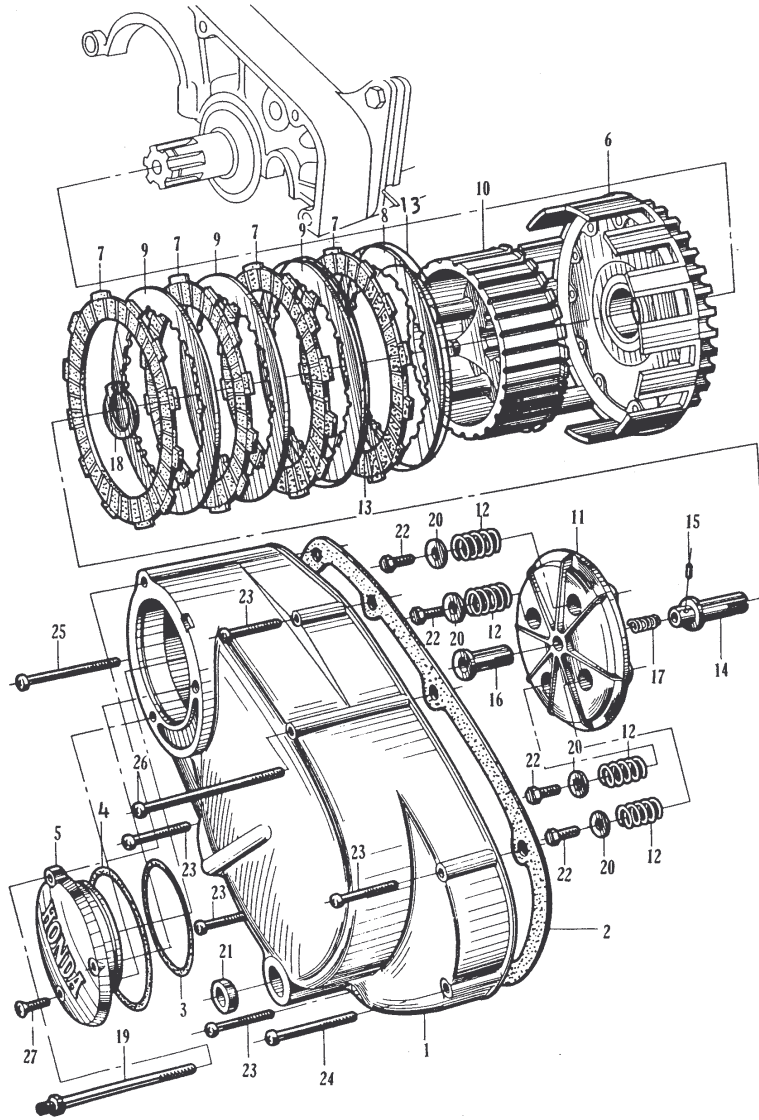
Upper & Lower Crankcase



Upper . Lower Crankcase

Ref. No.	H/C	Part Number	Description	CA77	Remarks
29	05874	92700-06103	STUD, 6X103.....	3	
30	05876	92700-06120	STUD, 6X120.....	1	
31	04014	90241-259-000	NUT, SEALING, 6MM.....	1	
32	04021	90481-250-000	WASHER A, 6.5MM.....	1	
33	04025	90432-259-000	WASHER, LOCKING.....	1	
34	04029	90483-259-000	WASHER, 14MM.....	1	
35	05419	92000-06012	BOLT, HEX., 6X12.....	1	
36	05435	92000-06030	BOLT, HEX., 6X30.....	1	
37	05441	92000-06040	BOLT, HEX., 6X40.....	1	
38	05447	92000-06050	BOLT, HEX., 6X50.....	2	
39	05452	92000-06070	BOLT, HEX., 6X70.....	1	
40	05453	92000-06075	BOLT, HEX., 6X75.....	1	
41		94001-06000	NOT AVAILABLE USE, 94001-06000-0S.....		
	15606	94001-06000-0S	NUT, HEX., 6MM.....	3	
42		94001-08000	NOT AVAILABLE USE, 94030-08000.....		
	11468	94030-08000	NUT, HEX., 8MM.....	9	
43	05907	94101-06000	WASHER, FLAT, 6MM.....	8	
44	05909	94101-08000	WASHER, FLAT, 8MM.....	8	
45	05897	94111-06000	WASHER, SPRING, 6MM.....	2	
46	05835	94201-20200	PIN, COTTER, 2.0X20..... (SUPERSEDED BY 94201-20350)	1	
	05838	94201-20350	PIN, COTTER, 2MM.....	1	

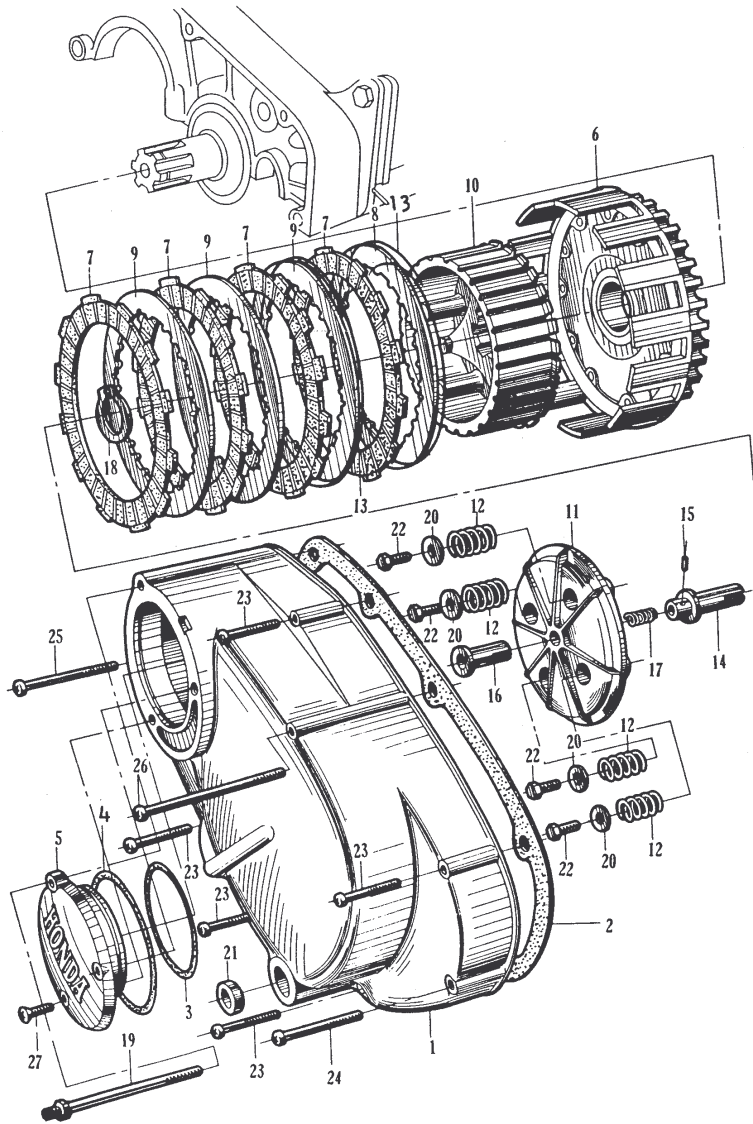
Clutch . Left Crankcase Cover



Clutch . Left Crankcase Cover

Ref. No.	H/C	Part Number	Description	CA77	Remarks
1	03502	11340-259-020	COVER, LEFT, CRANKCASE.....	1	E CA77E-110001 TO CA77E-314731 E CA77E-100001 TO CA77E-104273
	03503	11340-259-030	COVER, LEFT, CRANKCASE.....	1	E CA77E-104274 TO CA77E-109000 E CA77E-400001 TO
2	03526	11395-259-000	PACKING, LEFT CRANKCASE COVER.....	1	
3	09956	91301-259-000	O RING, 57X3.....	2	E CA77E-110001 TO CA77E-314731 E CA77E-100001 TO CA77E-104273
	00272	91309-700-010	O RING, 74.5X3.....	1	E CA77E-104274 TO CA77E-109000 E CA77E-400001 TO
4	03530	91302-259-000	O RING, 79.5X3.....	1	
5	03757	15481-259-010	COVER, OIL FILTER.....	1	E CA77E-110001 TO CA77E-314731 E CA77E-100001 TO CA77E-104273
	03758	15481-259-020	COVER, OIL FILTER.....	1	E CA77E-104274 TO CA77E-109000 E CA77E-400001 TO
6	03836	22100-259-000	OUTER, CLUTCH.....	1	E CA77E-100001 TO CA77E-1005669
	07376	22100-259-010	OUTER, CLUTCH.....	1	E CA77E-1005670 TO
7	03839	22201-266-000	DISC, CLUTCH FRICTION.....	5	E CA77E-100001 TO CA77E-1023892
	08490	22201-266-020	DISC, CLUTCH FRICTION.....	5	E CA77E-1023893 TO
8	03841	22311-266-000	PLATE A, CLUTCH.....	1	E CA77E-100001 TO CA77E-1005669
	03840	22311-259-010	PLATE A, CLUTCH.....	1	E CA77E-1005670 TO CA77E-1023892
	08491	22311-266-000	PLATE A, CLUTCH.....	1	E CA77E-1023893 TO
9	03843	22321-266-000	PLATE B, CLUTCH.....	4	
10		22121-266-000	NOT AVAILABLE USE, 22121-266-030.....		
	13444	22121-266-030	CENTER, CLUTCH.....	1	E CA77E-100001 TO CA77E-1001629
		22121-266-020	NOT AVAILABLE USE, 22121-266-030.....		
	13445	22121-266-040	CENTER, CLUTCH.....	1	E CA77E-1001630 TO
11	03849	22350-259-000	PLATE, CLUTCH PRESSURE.....	1	
12	03853	22401-266-000	SPRING, CLUTCH.....	4	
13	03862	22431-259-000	RING, CLUTCH PLATE STOPPER.....	2	
14	03865	22838-259-020	PIECE, CLUTCH LIFTER JOINT.....	1	
15	03867	25572-259-000	PIN, OIL GUIDE METAL.....	1	
16	03872	25571-259-010	METAL, OIL GUIDE.....	1	
17	03881	25573-259-000	SPRING, OIL GUIDE METAL.....	1	
18	08010	90602-259-010	SET RING, 25MM.....	1	
19	04001	90089-259-000	BOLT, LEFT LEG SHIELD UNDER.....	1	
20	04022	90481-259-000	WASHER, 6X19.....	4	
21	04041	91202-250-000	OIL SEAL, 14257.....	1	
22	05423	92000-06016	BOLT, HEX., 6X16.....	4	
23	05757	93500-06035	SCREW, CROSS, 6X35.....	5	

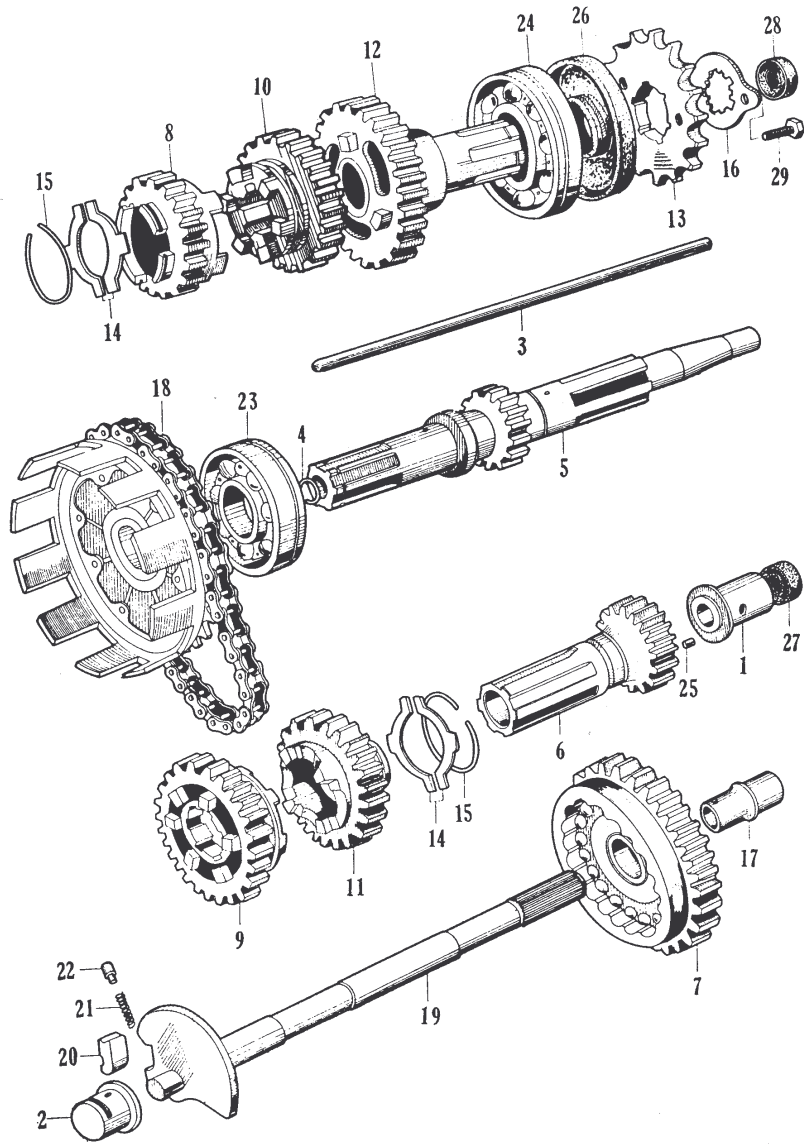
Clutch . Left Crankcase Cover



Clutch . Left Crankcase Cover

Ref. No.	H/C	Part Number	Description	CA77	Remarks
24	05763	93500-06045	SCREW, CROSS, 6x45.....	1	
25	05768	93500-06060	SCREW, CROSS, 6x60.....	1	
26	05773	93500-06075	SCREW, CROSS, 6x75.....	1	
27	05647	93700-06016	SCREW, CROSS, 6x16.....	2	
<u>NOT ILLUSTRATED</u>					
	03857	22411-266-000	SPRING, CLUTCH FREE.....	3	
	03861	22211-266-000	DISC A, CLUTCH FRICTION.....	1	

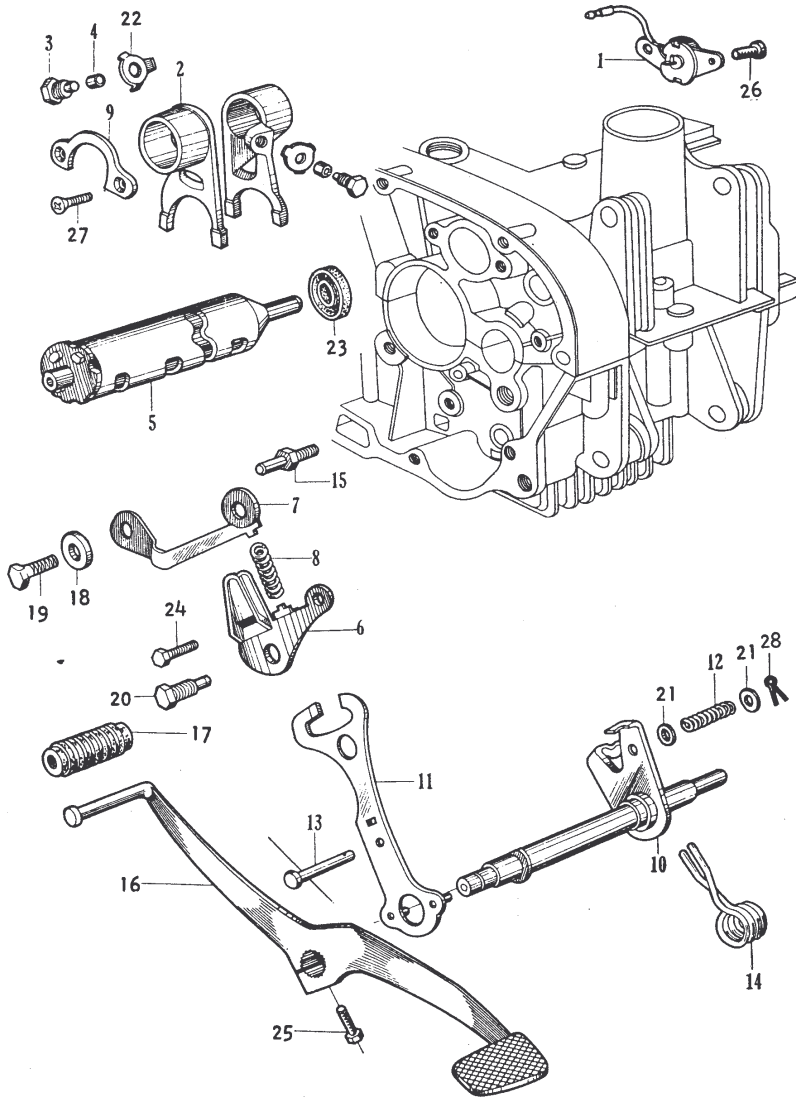
Transmission



Transmission

Ref. No.	H/C	Part Number	Description	CA77	Remarks
1	03524	23931-259-010	BUSHING, 14MM.....	1	
2	03525	28258-259-010	BUSHING, KICK SPINDLE METAL.....	1	
3	03866	22850-259-010	ROD, CLUTCH LIFTER.....	1	
4	03868	91305-259-000	O RING, 12.8X2.2.....	1	
5	03887	23211-259-010	SHAFT, MAIN, TRANSMISSION 16T.....	1	
6	03889	23221-255-000	SHAFT, COUNTER 21T.....	1	
7	03891	23420-253-000	GEAR, LOW 35T.....	1	E CA77E-100001 TO CA77E-1033686
	11647	23420-253-020	GEAR, LOW 35T.....	1	E CA77E-1033687 TO
8	03895	23430-262-000	GEAR, SECOND, MAIN SHAFT 23T.....	1	
9		23441-250-010	NOT AVAILABLE USE, 23441-250-020.....		
	13446	23441-250-020	GEAR, SECOND, COUNTER SHAFT 28T.....	1	
10	13448	23451-250-020	GEAR, THIRD, MAIN SHAFT 27T.....	1	
11	03903	23461-262-000	GEAR, THIRD, COUNTER SHAFT 24T.....	1	
12	03907	23470-264-010	GEAR, TOP 30T.....	1	
13	13451	23801-266-010	SPROCKET, DRIVE, 16T.....	1	
14	03917	23941-250-010	COTTER, GEAR.....	4	
	11642	23941-259-305	COTTER, GEAR.....	4	
	11643	23943-259-305	COTTER, GEAR.....	4	
15	03920	90602-250-000	SET RING, 33MM.....	2	
16	03921	23811-253-000	PLATE, DRIVE SPROCKET FIXING.....	1	
	13452	23811-259-010	PLATE, DRIVE SPROCKET FIXING.....	1	
17	03924	23933-253-000	BUSHING C, 14MM.....	1	E CA77E-100001 TO CA77E-1033686
	11649	23933-259-010	BUSHING C, 14MM.....	1	E CA77E-1033687 TO
18		23121-266-000	NOT AVAILABLE USE, 23120-268-000.....		
	08963	23120-268-000	CHAIN, PRIMARY DRIVE.....	1	
19		28251-259-000	NOT AVAILABLE USE, 28250-259-000.....		
	14141	28250-259-000	SPINDLE, KICK STARTER.....	1	
20	03973	28255-250-020	PAWL, KICK SPINDLE.....	1	
21	03974	28228-250-010	SPRING, KICK SPINDLE PAWL.....	1	
22	03975	28256-250-000	PIN, KICK SPINDLE PAWL PUSHING.....	1	
23	04035	91003-259-000	BEARING, BALL, 6305HS.....	1	
24	04036	91004-259-000	BEARING, BALL, 6206HS.....	1	
25	04038	91102-253-000	ROLLER, 5X6.25.....	12	
26	04040	91203-259-000	OIL SEAL, 30628.....	1	
27	04041	91202-250-000	OIL SEAL, 14257.....	2	
28	04047	91205-259-000	OIL SEAL, 8216TC-TYPE.....	1	
29	05419	92000-06012	BOLT, HEX.; 6X12.....	2	

Gear Change



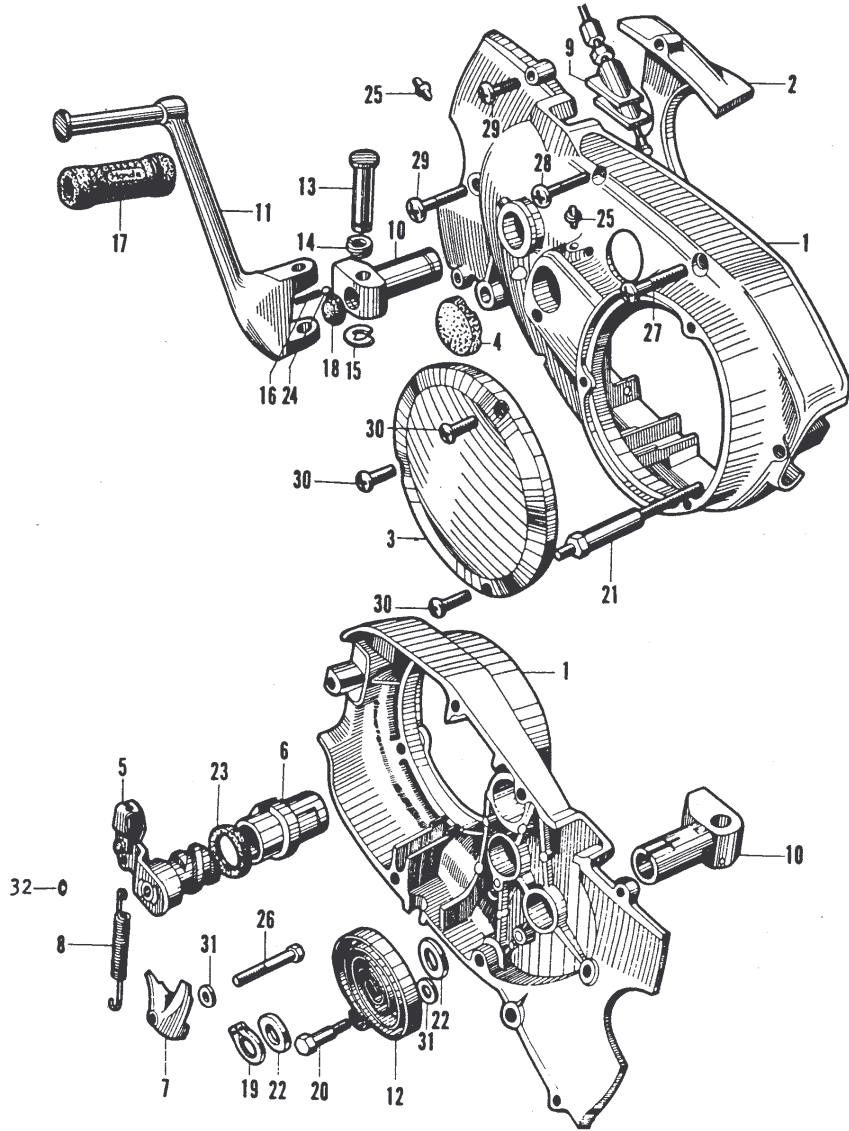
GEAR CHANGE

Ref. No.	H/C	Part Number	Description	CA77	Remarks
1	03816	35750-268-000	SWITCH ASSY., NEUTRAL.....	1	
2	03931	24211-268-000	FORK, GEAR SHIFT.....	2	
3	03932	24261-253-010	PIN, SHIFT FORK GUIDE.....	2	
4	03933	24262-253-000	ROLLER, SHIFT FORK GUIDE PIN.....	2	
5	03934	24301-268-000	DRUM, GEAR SHIFT.....	1	
6	03935	24440-268-000	GUIDE, SHIFT DRUM.....	1	
7	03936	24430-268-000	STOPPER, SHIFT DRUM.....	1	
8	03937	24435-250-000	SPRING, SHIFT DRUM STOPPER.....	1	
9	03938	24455-268-000	PLATE, SHIFT DRUM SETTING.....	1	
10	03940	24610-259-020	SPINDLE, GEAR SHIFT.....	1	E CA77E-110001 TO CA77E-110150
	03941	24610-259-030	SPINDLE, GEAR SHIFT.....	1	E CA77E-100001 TO CA77E-109000 E CA77E-110151 TO
11	03942	24630-268-000	ARM, GEAR SHIFT.....	1	
12	03943	24641-250-010	SPRING, SHIFT ARM.....	1	
13	03944	24642-250-000	PIN, SHIFT ARM SPRING.....	1	
14	03945	24651-250-000	SPRING, GEAR SHIFT RETURN.....	1	
15	03946	24652-259-000	PIN, SHIFT RETURN SPRING.....	1	
16	03947	24701-262-010	PEDAL, GEAR CHANGE.....	1	
17		24781-205-000	NOT AVAILABLE USE, 95011-40000.....		
	25569	95011-40000	RUBBER, CHANGE PEDAL.....	1	
18	03939	24438-259-000	COLLAR, STOPPER ARM DISTANCE.....	1	
19	05432	92000-06025	BOLT, HEX., 6X25.....	1	
20	04003	90028-259-000	BOLT, KICK STARTER STOPPER.....	1	
21	04020	90418-253-000	WASHER, SHIFT ARM SPRING.....	2	
22	04023	90416-250-000	WASHER, SHIFT FORK LOCK.....	2	
23		91204-200-000	NOT AVAILABLE USE, 91201-283-000.....		
	07642	91201-283-000	OIL SEAL, 12254.5.....	1	
24	05419	92000-06012	BOLT, HEX., 6X12.....	1	
25	05432	92000-06025	BOLT, HEX., 6X25.....	1	
26	05742	93500-06012	SCREW, CROSS, 6X12.....	2	
27	05580	93600-06018	SCREW, CROSS, 6X18.....	2	
28	05834	94201-20150	PIN, COTTER, 2.0X15..... (SUPERSEDED BY 94201-20350)	1	
	05838	94201-20350	PIN, COTTER, 2MM.....	1	

KICK STARTER ARM . RIGHT CRANKCASE COVER

Ref. No.	H/C	Part Number	Description	CA77	Remarks
1	03497	11330-259-020	COVER, RIGHT, CRANKCASE.....	1	E CA77E-100001 TO CA77E-109000 E CA77E-110001 TO CA77E-100339
	07246	11330-259-040	COVER, RIGHT, CRANKCASE.....	1	E CA77E-1003392 TO
2	03504	11661-259-000	COVER, DRIVE SPROCKET.....	1	
3	03506	11631-259-000	COVER, DYNAMO.....	1	
4	03540	11925-259-000	CAP, CLUTCH CABLE CHANGE HOLE.....	1	E CA77E-100001 TO CA77E-109000 E CA77E-312951 TO
5	03863	22810-266-000	THREAD, CLUTCH LIFTER.....	1	
6	03864	22841-266-000	ADJUSTER, CLUTCH.....	1	
7		22844-200-000	NOT AVAILABLE USE, 22844-323-000.....		
	29221	22844-323-000	PIECE, CLUTCH ADJUSTER FIXING.....	1	
8	03869	22815-259-000	SPRING, CLUTCH LEVER.....	1	E CA77E-100001 TO CA77E-100339
	03870	22815-259-010	SPRING, CLUTCH LEVER.....	1	E CA77E-1003392 TO
9	03882	22875-259-000	JOINT, CLUTCH CABLE.....	1	E CA77E-100001 TO CA77E-100339
	03883	22875-259-020	JOINT, CLUTCH CABLE.....	1	E CA77E-1003392 TO
10	03964	28241-259-000	JOINT, KICK STARTER.....	1	
11	03969	28300-259-000	ARM, KICK STARTER.....	1	
12	03976	28281-250-000	SPRING, KICK STARTER.....	1	
13	03977	28321-250-000	PIN, KICK STARTER KNUCKLE.....	1	
14	03978	28292-250-010	SPRING, KICK STARTER KNUCKLE.....	1	
15	03979	28293-250-000	CLIP, KICK KNUCKLE PIN.....	1	
16	03980	28333-250-000	SPRING, KICK STARTER STOPPER.....	1	
17		28311-250-000	NOT AVAILABLE USE, 95011-52000.....		
	25562	95011-52000	RUBBER, KICK STARTER.....	1	
18	03983	28248-259-010	PLUG, KICK JOINT SEALING.....	1	
19	03985	90661-250-000	SET RING, 22MM.....	1	
20	03998	90029-250-000	BOLT, KICK SPRING CLAMP.....	1	
21	05761	93500-06040	BOLT 6X40.....	1	
22	04024	90423-250-000	WASHER, KICK STARTER SPRING.....	2	
23	02709	91205-200-000	OIL SEAL, 2226298.....	1	
24	07990	96211-08000	BALL, STEEL 1/4.....	1	
25		96201-30000	NOT AVAILABLE USE, 96201-30001.....		
	25804	96201-30001	NIPPLE, GREASE, 4.5MM.....	2	
26	05444	92000-06045	BOLT, HEX., 6X45.....	1	
27	05761	93500-06040	SCREW, CROSS, 6X40.....	2	
28	05755	93500-06030	SCREW, CROSS, 6X30.....	2	
29	05749	93500-06020	SCREW, CROSS, 6X20.....	3	
30	05627	93700-05016	SCREW, CROSS, 5X16.....	3	

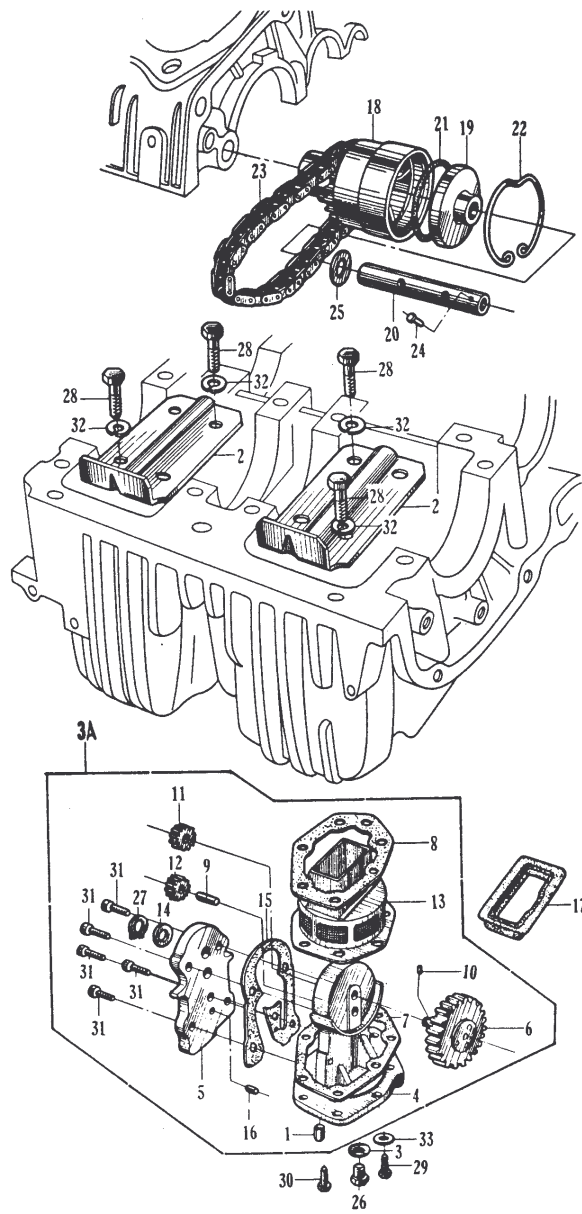
Kick Starter Arm . Right Crankcase Cover



KICK STARTER ARM . RIGHT CRANKCASE COVER

Ref. No.	H/C	Part Number	Description	CA77	Remarks
31	05907	94101-06000	WASHER, FLAT, 6MM.....	2	
32	05893	96211-10000	BALL, STEEL 5/16.....	1	

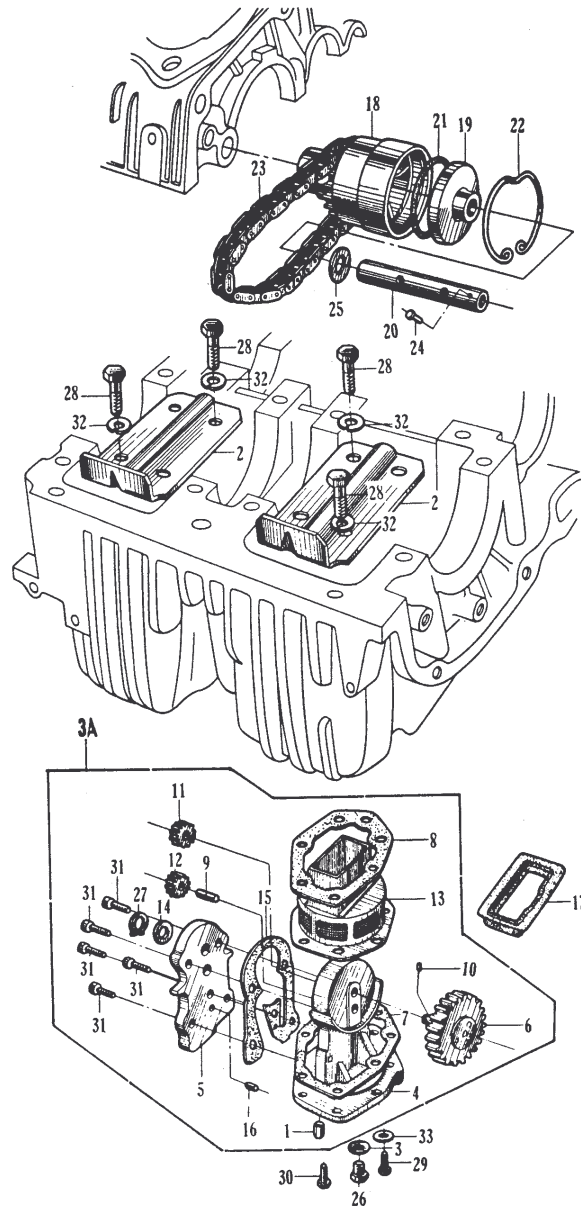
Oil Pump . Oil Separator



OIL PUMP . OIL FILTER

Ref. No.	H/C	Part Number	Description	CA77	Remarks
1		90703-200-000	NOT AVAILABLE USE, 94301-10140.....		
	06933	94301-10140	PIN, KNOCK, 10X14.....	2	
2	03517	11751-259-000	SEPARATOR, OIL.....	2	
3	03529	90407-259-000	PACKING, DRAIN COCK..... (SUPERSEDED BY 90407-231-000)	1	
	21834	90407-231-000	PACKING, DRAIN COCK.....	1	
3A	03740	15100-273-000	PUMP ASSY., OIL.....	1	
4	03742	15110-273-000	BODY, OIL PUMP.....	1	
5	03743	15121-259-000	COVER, SIDE, OIL PUMP.....	1	
6	03744	15180-268-323	GEAR, OIL PUMP DRIVE.....	1	
7	03745	15191-259-000	PACKING A, OIL PUMP.....	1	E CA77E-100001 TO CA77E-1023161
8	03746	15192-259-000	PACKING B, OIL PUMP.....	2	E CA77E-100001 TO CA77E-1023161 E CA77E-1023162 TO
9	03747	15193-259-000	PIN, OIL PUMP GEAR.....	1	
10	03735	15194-250-000	PIN, OIL PUMP GEAR LOCKING.....	1	
11	10025	15131-259-000	GEAR A, OIL PUMP.....	1	E CA77E-110001 TO CA77E-110350
	03736	15131-250-000	GEAR A, OIL PUMP.....	1	E CA77E-100001 TO CA77E-109000 E CA77E-110351 TO
12	10026	15141-259-000	GEAR B, OIL PUMP.....	1	E CA77E-110001 TO CA77E-110350
	03737	15141-250-000	GEAR B, OIL PUMP.....	1	E CA77E-100001 TO CA77E-109000 E CA77E-110351 TO
13		15420-259-020	NOT AVAILABLE USE, 15420-259-030.....		
	03750	15420-259-030	STRAINER, OIL PUMP.....	1	
14	03751	90485-259-000	WASHER, 9.5MM.....	1	
15	03752	15196-259-000	PACKING, OIL PUMP SIDE COVER.....	1	
16	03738	15199-250-000	PIN, KNOCK, OIL PUMP SIDE COVER.....	1	
17	03753	15198-259-020	RECEIVER, OIL.....	1	
18	03754	15440-259-030	ROTOR, OIL FILTER.....	1	
19	03755	15451-259-020	CAP, ROTOR.....	1	
20	03756	15471-259-000	SHAFT, OIL FILTER.....	1	
21	03759	91304-259-010	O RING, 47.6X16.....	1	
22	03760	15494-259-010	SET RING, 52MM.....	1	E CA77E-110001 TO CA77E-212070
	03761	15494-259-020	RING, OIL FILTER STOPPER.....	1	E CA77E-100001 TO CA77E-109000 E CA77E-212071 TO
23	03762	15478-259-000	CHAIN, OIL FILTER DK210F, 40L.....	1	
24	03763	15495-259-000	PIN, OIL FILTER SHAFT STOPPER.....	1	
25	03764	15493-259-000	WASHER, FILTER ROTOR.....	1	
26	05397	92800-12000	BOLT, DRAIN COCK.....	1	
27	00676	90654-700-000	RING, SNAP, 9MM.....	1	

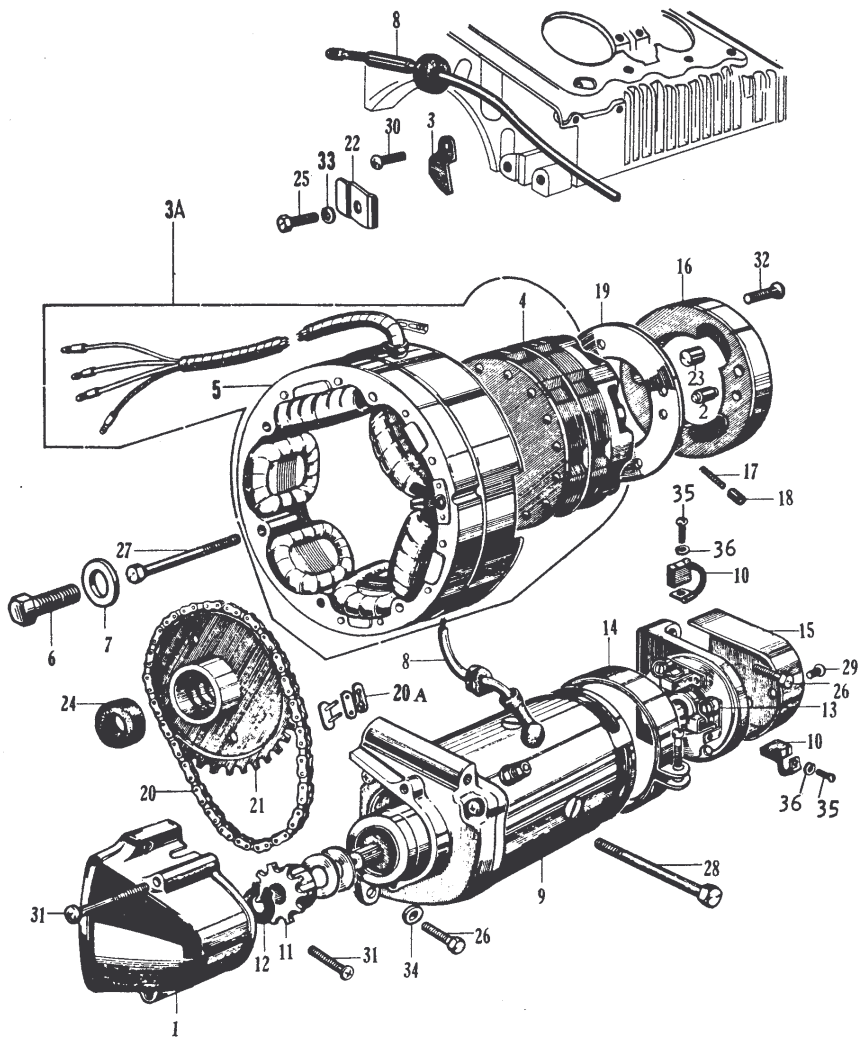
Oil Pump . Oil Separator



OIL PUMP . OIL FILTER

Ref. No.	H/C	Part Number	Description	CA77	Remarks
28	05419	92000-06012	BOLT, HEX., 6X12.....	4	
29	05427	92000-06020	BOLT, HEX., 6X20.....	4	
30	05438	92000-06035	BOLT, HEX., 6X35.....	2	
31	05745	93500-06016	SCREW, CROSS, 6X16.....	5	
32	05897	94111-06000	WASHER, SPRING, 6MM.....	4	
33	05907	94101-06000	WASHER, FLAT, 6MM.....	6	

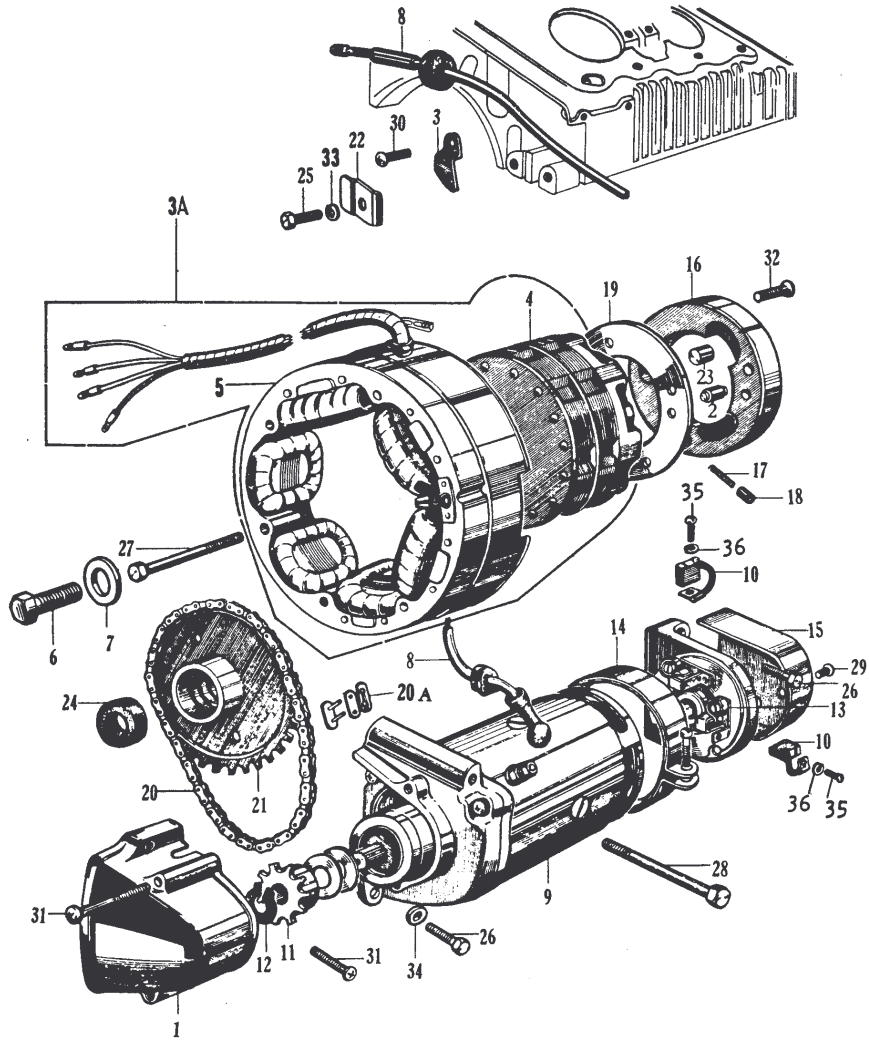
Magneto . Starter Motor



Dynamo . STARTING MOTOR

Ref. No.	H/C	Part Number	Description	CA77	Remarks
1	03508	11641-253-000	COVER, STARTING SPROCKET.....	1	
2	07399	90704-259-000	PIN, KNOCK, 6X17.5.....	1	
3	03539	32911-253-000	CLAMP, STARTING MOTOR CABLE.....	1	
3A	03765	31100-259-000	A C DYNAMO ASSY *HIGH OUTPUT*.....	1	
	03766	31100-262-000	A C DYNAMO ASSY *LOW OUTPUT*.....	1	
4	03769	31101-259-004	ROTOR, A C IGNITION DYNAMO *HIGH OUTPUT*...	1	
	08937	31101-259-003	ROTOR, A C IGNITION DYNAMO *HIGH OUTPUT*...	1	
	06937	31101-262-004	ROTOR, A C IGNITION DYNAMO *LOW OUTPUT*....	1	
	07321	31101-262-003	ROTOR, A C IGNITION DYNAMO *LOW OUTPUT*....	1	
5	03774	31102-259-004	STATOR, A C IGNITION DYNAMO.....	1	
	08113	33102-259-003	STATOR, A C IGNITION DYNAMO.....	1	
6	11971	90026-259-000	BOLT, DYNAMO ROTOR SETTING.....	1	
7	08276	90427-259-000	WASHER, ROTOR SETTING.....	1	
8	03817	32401-259-000	CABLE, STARTING MOTOR.....	1	
9		31200-259-000	NOT AVAILABLE USE, 31200-259-305.....		
	28725	31200-259-305	MOTOR ASSY., STARTING.....	1	
10	03822	31201-253-014	BRUSH, STARTING MOTOR CARBON.....	1	
	03823	31201-253-003	BRUSH, STARTING MOTOR CARBON.....	1	
11	03825	31202-253-004	SPROCKET, STARTING MOTOR.....	1	
	03824	31202-253-003	SPROCKET, STARTING MOTOR.....	1	
12	03827	31203-253-004	CIRCLIP.....	1	
	03826	31203-253-003	CIRCLIP.....	1	
13	03828	31204-253-014	SPRING, CARBON BRUSH.....	2	
	03829	31204-253-003	SPRING, CARBON BRUSH.....	2	
14	03831	31207-253-014	COVER, COMMUTATER.....	1	
	03832	31207-253-003	COVER, COMMUTATER.....	1	
15	03834	31281-253-000	COVER, STARTING MOTOR SIDE.....	1	
16	03986	28121-259-000	OUTER, STARTING CLUTCH.....	1	
17	03987	28125-253-020	SPRING, STARTING CLUTCH ROLLER.....	3	
18	03988	28126-253-030	CAP, STARTING CLUTCH ROLLER SPRING.....	3	
19	03989	28128-253-030	PLATE, STARTING CLUTCH SIDE.....	1	
20	03990	28101-253-000	CHAIN, STARTING DK219,58L.....	1	
20A	03704	14411-259-000	JOINT, CAM CHAIN DK219.....	1	
21	03991	28110-259-010	SPROCKET STARTING.....	1	
22	03992	28116-259-000	STOPPER, STARTING SPROCKET.....	1	E CA77E-100001 TO CA77E-1001461
	03993	28116-259-010	STOPPER, STARTING SPROCKET.....	1	E CA77E-1001462 TO
23	04037	91103-259-000	ROLLER, 10.2X11.5.....	3	

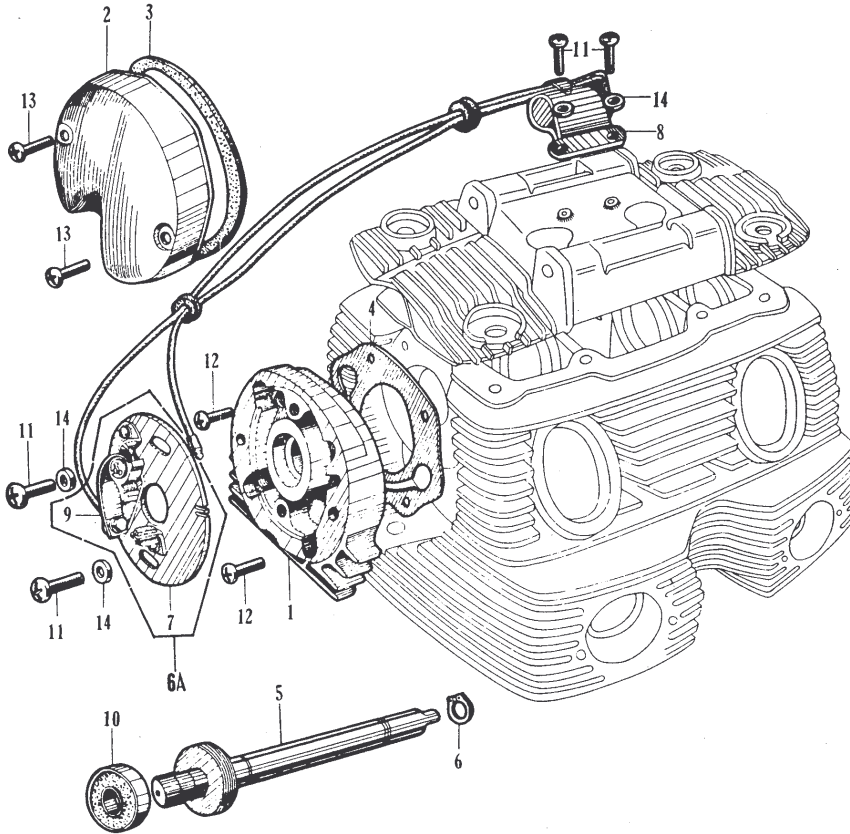
Magneto . Starter Motor



Dynamo . STARTING MOTOR

Ref. No.	H/C	Part Number	Description	CA77	Remarks
24	04044	91208-259-000	OIL SEAL, 20305.....	1	
25	05423	92000-06016	BOLT, HEX., 6X16.....	1	
26	05427	92000-06020	BOLT, HEX., 6X20.....	3	
27	05450	92000-06065	BOLT, HEX., 6X65.....	3	
28	05452	92000-06070	BOLT, HEX., 6X70.....	1	
29	05713	93500-05012	SCREW, CROSS, 5X12.....	2	
30	05742	93500-06012	SCREW, PAN, 6X12.....	1	
31	05749	93500-06020	SCREW, CROSS, 6X20.....	4	
32	05584	93600-06025	SCREW, CROSS, 6X25.....	3	
33	05897	94111-06000	WASHER, LOCK, 6MM.....	1	
34	05907	94101-06000	WASHER, FLAT, 6MM.....	4	
35	05668	93500-03006	SCREW CROSS, 3X6..... (SUPERSEDED BY 93500-03006-02)	2	
	05669	93500-03006-02	SCREW CROSS, 3X6.....	2	
36	05894	94111-03000	WASHER, SPRING, 3MM.....	2	

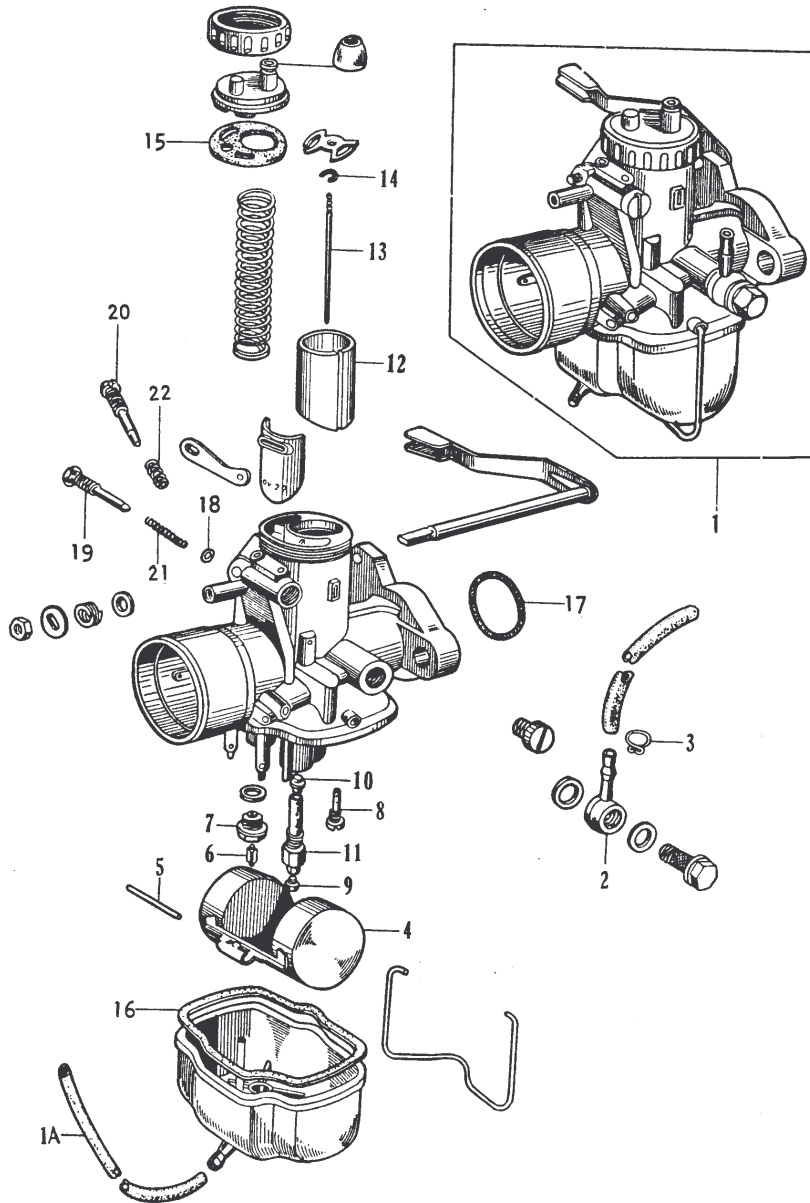
Contact Breaker



CONTACT BREAKER

Ref. No.	H/C	Part Number	Description	CA77	Remarks
1		12331-259-030	NOT AVAILABLE USE, 12331-259-040.....		
	03559	12331-259-040	COVER, RIGHT, CYLINDER HEAD SIDE.....	1	E CA77E-110001 TO CA77E-210100
	03561	12331-268-020	COVER, RIGHT, CYLINDER HEAD SIDE.....	1	E CA77E-100001 TO CA77E-109000 E CA77E-210101 TO
		12331-268-030	NOT AVAILABLE USE, 12331-268-020.....		
2		30371-259-010	NOT AVAILABLE USE, 30371-268-010.....		
	03570	30371-268-010	COVER, POINT.....	1	E CA77E-110001 TO CA77E-112450 E CA77E-100001 TO CA77E-109000
		30371-259-020	NOT AVAILABLE USE, 30371-268-020.....		
	03571	30371-268-020	COVER, POINT.....	1	E CA77E-210001 TO
3	03572	30391-259-010	PACKING, POINT COVER.....	1	E CA77E-110001 TO CA77E-112450
	03573	30391-259-020	PACKING, POINT COVER.....	1	E CA77E-100001 TO CA77E-109000
4	03580	12391-258-000	PACKING, CYLINDER HEAD SIDE COVER.....	1	
5	03696	30310-259-030	SHAFT, POINT.....	1	
6	03698	90601-259-000	SET RING, 11MM.....	1	
6A	03787	30200-259-044	BREAKER ASSY., CONTACT.....	1	
7	03793	30201-259-004	PLATE, CONTACT BREAKER BASE.....	1	
	03792	30201-259-003	PLATE, CONTACT BREAKER BASE.....	1	
8	03795	30250-259-014	CONDENSER.....	1	E CA77E-110001 TO CA77E-110435
		30250-259-024	NOT AVAILABLE USE, 30250-259-044.....		
	03799	30250-259-044	CONDENSER.....	1	E CA77E-110436 TO CA77E-112450 E CA77E-100001 TO CA77E-109000 E CA77E-210001 TO
9	03804	30202-259-004	BREAKER, CONTACT.....	1	
	03805	30202-259-003	BREAKER, CONTACT.....	1	
10	04043	91204-259-000	OIL SEAL, 16287.....	1	
11	05713	93500-05012	SCREW, CROSS, 5X12.....	4	
12	05747	93500-06018	SCREW, CROSS, 6X18.....	4	
13	05636	93700-05030	SCREW, CROSS, 5X30.....	2	
14	05905	94101-05000	WASHER, FLAT, 5MM.....	4	

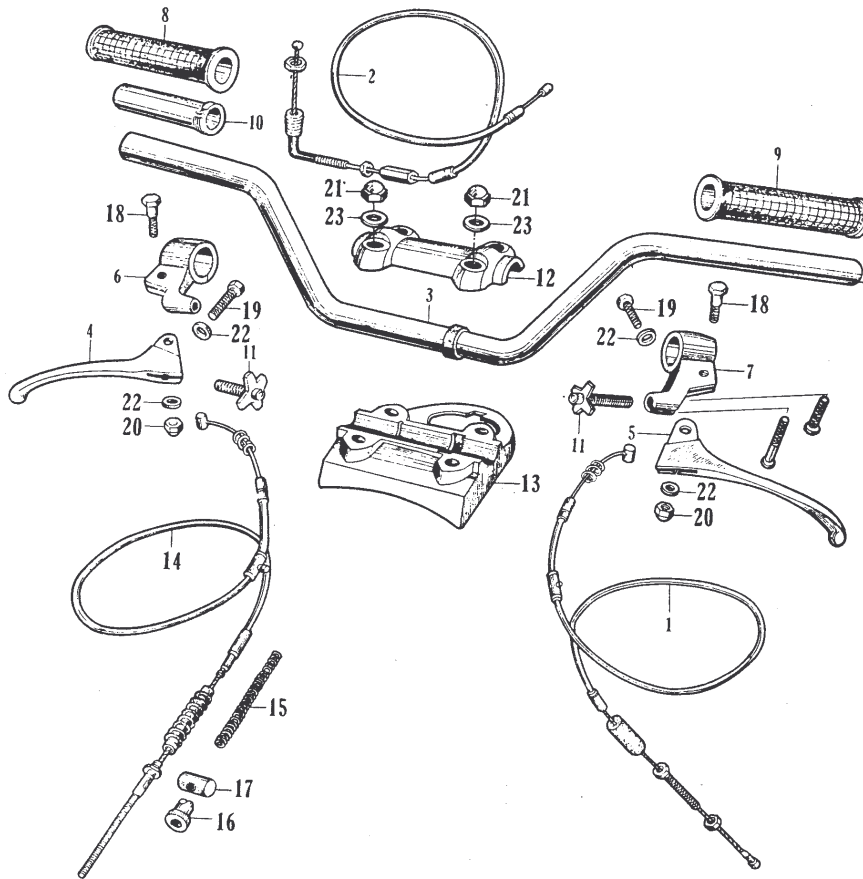
Carburetor



Carburetor

Ref. No.	H/C	Part Number	Description	CA77	Remarks
1	04053	16100-266-030	CARBURETOR ASSY.....	1	
1A	03597	16235-259-000	PIPE, OVER FLOW.....	1	
2	04228	17625-250-000	JOINT, FUEL FEED TUBE.....	1	
3	05344	95002-50000	CLIP, FUEL FEED TUBE.....	1	
4		16122-259-004	NOT AVAILABLE USE, 16122-268-004.....		
	04060	16122-268-004	FLOAT *ROUND TYPE*.....	1	
	08084	16122-259-014	FLOAT *SQUARE TYPE*.....	1	
5		16126-259-004	NOT SOLD - THIS PART IS INCLUDED IN..... 16122-259-004		
6	04061	16125-259-004	VALVE, FLOAT.....	1	
7		16127-259-004	NOT SOLD - THIS PART IS INCLUDED IN..... 16125-259-004		
8	04063	99134-03504	SLOW, JET, SIZE 35.....	1	
	04064	99134-03804	SLOW, JET, SIZE 38.....	1	
	04065	99134-04004	SLOW, JET, SIZE 40.....	1	
	04066	99134-04204	SLOW, JET, SIZE 42.....	1	
9	04088	99102-11004	JET, MAIN, SIZE 110.....	1	
	04089	99102-11504	JET, MAIN, SIZE 115.....	1	
	04090	99102-12004	JET, MAIN, SIZE 120.....	1	
	04091	99102-12504	JET, MAIN, SIZE 125.....	1	
	04092	99102-13004	JET, MAIN, SIZE 130.....	1	
10	04111	16133-259-004	JET, NEEDLE.....	1	
11	04114	16139-259-004	HOLDER, NEEDLE JET.....	1	
12	04122	16141-266-004	VALVE, THROTTLE.....	1	
13	04128	16151-266-004	NEEDLE, JET.....	1	
14	13678	16157-259-004	CLIP, NEEDLE.....	1	
15	04131	16171-259-004	GASKET, TOP.....	1	
16	04056	16172-253-004	GASKET, FLOAT BOWL *ROUND TYPE*.....	1	
	04133	16129-268-004	GASKET, FLOAT BOWL *SQUARE TYPE*.....	1	
17	04135	16173-259-004	O RING, 3MM.....	1	
18	04138	16175-260-004	O RING, 2.8MM.....	1	
19	07349	16162-259-004	SCREW, AIR.....	1	
20	07352	16163-259-004	SCREW, THROTTLE STOP.....	1	
21	07924	16181-202-004	SPRING, AIR SCREW.....	1	
22	08366	16182-011-004	SPRING, THROTTLE STOP.....	1	

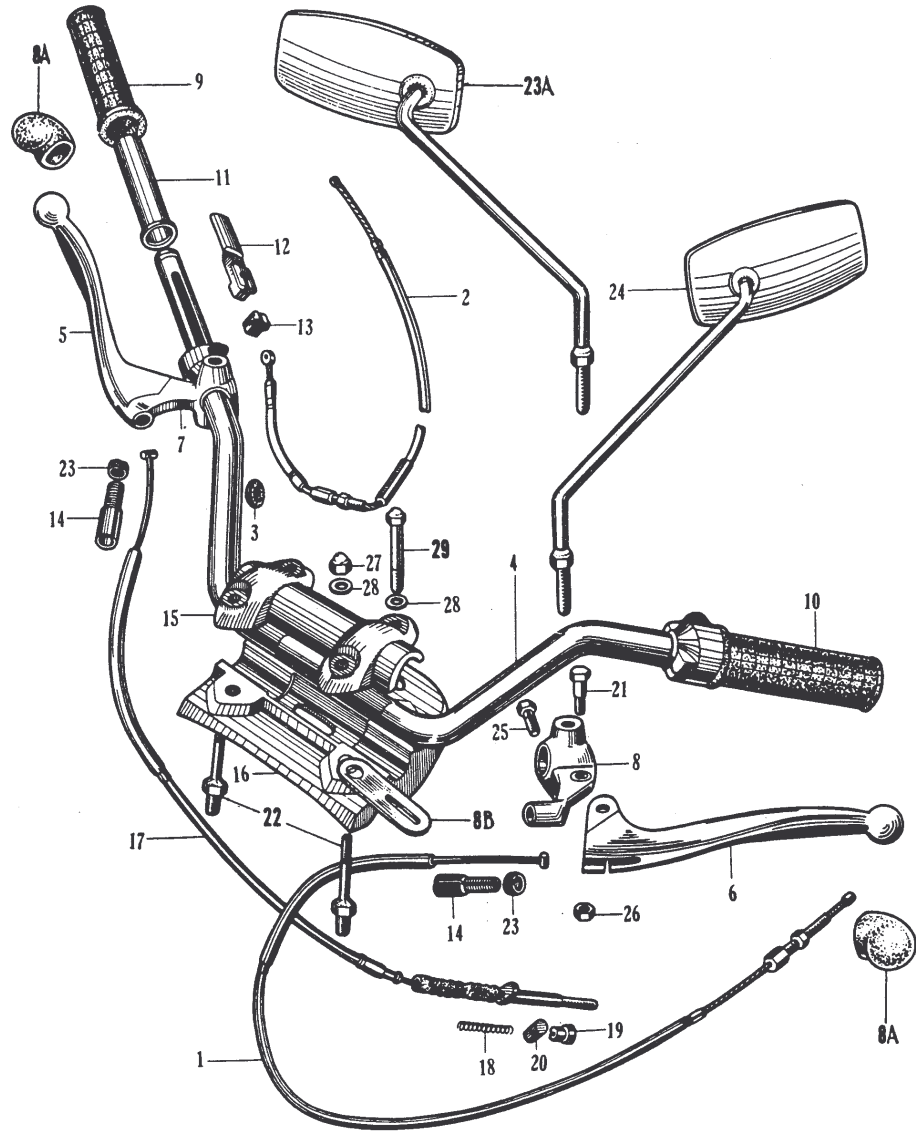
Handle Bar (1)



HANDLE BAR (1)

Ref. No.	H/C	Part Number	Description	CA77	Remarks	
1	03873	22870-262-000	CABLE, CLUTCH.....	1	F CA77-10001	TO CA77-20902
2		17910-262-000	NOT AVAILABLE USE, 17910-257-010.....			
	22849	17910-257-010	CABLE, THROTTLE.....	1	F CA77-10001	TO CA77-20902
3		53100-257-020	NOT AVAILABLE USE, 53100-281-000.....			
	04706	53100-281-000	PIPE, STEERING HANDLE.....	1	F CA77-10001	TO CA77-20902
4	03077	53175-205-010	LEVER, RIGHT, STEERING HANDLE.....	1	F CA77-10001	TO CA77-20902
		53175-271-000	NOT AVAILABLE USE, 53170-216-670.....			
	18276	53170-216-670	LEVER, RIGHT, STEERING HANDLE.....	1	F CA77-100001	TO CA77-1036485
5	03078	53178-205-010	LEVER, LEFT STEERING HANDLE.....	1	F CA77-10001	TO CA77-20902
		53178-271-000	NOT AVAILABLE USE, 53190-216-670.....			
	18278	53190-216-670	LEVER, LEFT, STEERING HANDLE..... (SUPERSEDED BY 53190-286-670)	1	F CA77-100001	TO CA77-1036485
	18279	53190-286-670	LEVER, LEFT, STEERING HANDLE.....	1		
6	04715	53171-268-010	BRACKET, RIGHT HANDLE LEVER.....	1	F CA77-100001	TO
7	04717	53172-268-010	BRACKET, LEFT, HANDLE LEVER.....	1		
8	03084	53165-205-000	RUBBER, GRIP, RIGHT.....	1	F CA77-10001	TO CA77-20902
	04720	53165-271-000	RUBBER, GRIP, RIGHT.....	1	F CA77-100001	TO
9	03085	53166-205-000	RUBBER, GRIP, LEFT.....	1	F CA77-10001	TO CA77-20902
	04720	53165-271-000	RUBBER, GRIP, LEFT.....	1	F CA77-100001	TO
10	03086	53141-205-000	PIPE, THROTTLE GRIP.....	1	F CA77-10001	TO CA77-20902
11	03087	53192-205-000	BOLT, CLUTCH CABLE ADJUSTING.....	2	F CA77-10001	TO CA77-20902
12	04733	53131-257-000	HOLDER, UPPER, HANDLE PIPE.....	1	F CA77-10001	TO CA77-20902
13	04737	53132-262-000	HOLDER, LOWER, HANDLE PIPE.....	1	F CA77-10001	TO CA77-20902
14	04845	45450-262-000	CABLE, FRONT BRAKE.....	1	F CA77-10001	TO CA77-20902
15	04856	45435-250-000	SPRING, FRONT BRAKE ARM.....	1		
16		43486-250-000	NOT AVAILABLE USE, 95015-42000.....			
	25776	95015-42000	NUT, REAR BRAKE ADJUSTING.....	1		
17		43453-250-000	NOT AVAILABLE USE, 95015-32000.....			
	25775	95015-32000	JOINT, REAR BRAKE ARM.....	1		
18	03362	90114-205-000	BOLT, HANDLE LEVER PIVOT.....	2	F CA77-10001	TO CA77-20902
	05130	90114-268-020	BOLT, HANDLE LEVER PIVOT.....	2	F CA77-100001	TO
19	05433	92000-06025-02	BOLT, HEX., 6X25.....	2		
20	05789	94021-06020	NUT, BLIND, 6MM.....	2	F CA77-10001	TO CA77-20902
	05802	94001-06020	NUT, HEX., 6MM.....	2	F CA77-100001	TO
21	05791	94021-08020	NUT, BLIND, 8MM.....	4		
22	05908	94101-06200	WASHER, FLAT, 6MM.....	4		
23	05910	94101-08200	WASHER, FLAT, 8MM.....	4		

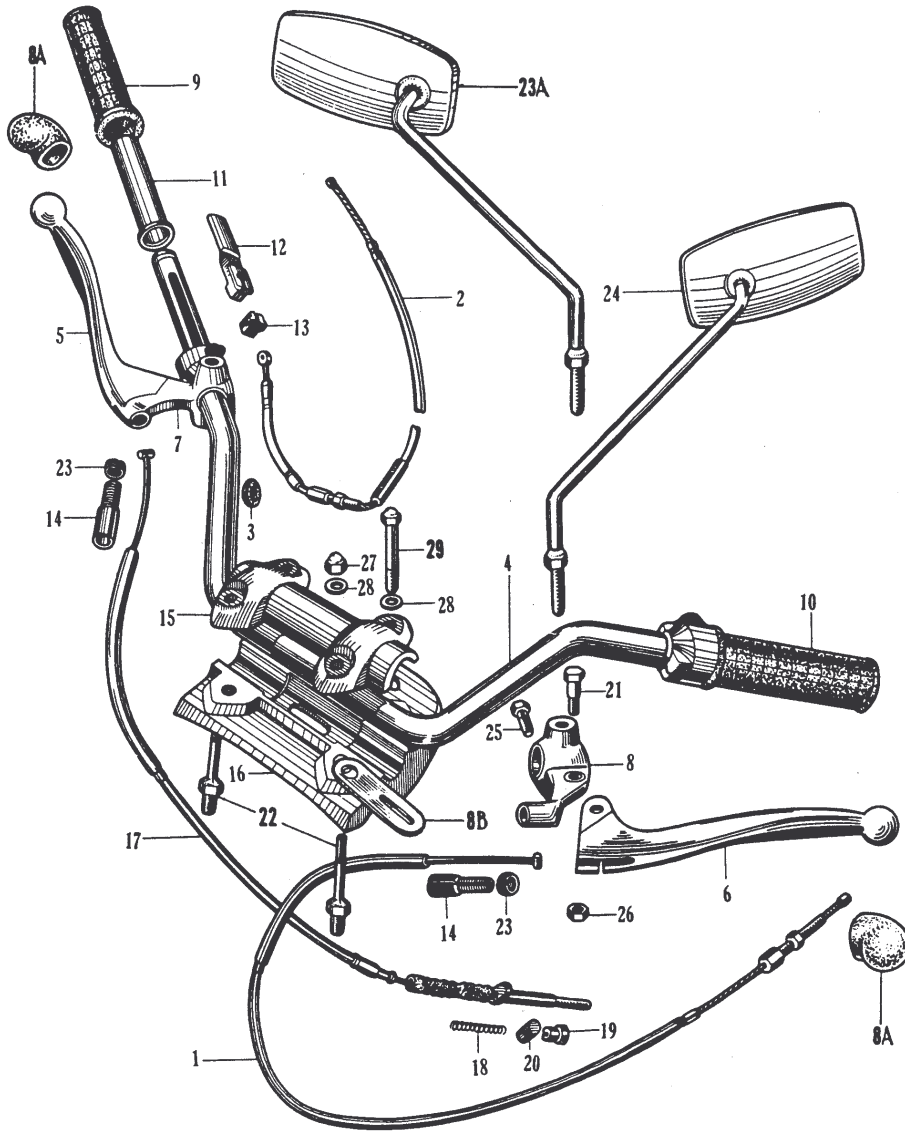
Handle Bar (2)



HANDLE BAR (2)

Ref. No.	H/C	Part Number	Description	CA77	Remarks
1	10052	22870-271-000	CABLE, CLUTCH.....	1	F CA77-100001 TO CA77-1003391
	07252	22870-272-010	CABLE, CLUTCH.....	1	F CA77-1003392 TO
2	04147	17910-271-000	CABLE, THROTTLE.....	1	F CA77-100001 TO
3	04152	17911-271-000	GROMMET, THROTTLE CABLE.....	1	F CA77-100001 TO
4		53100-272-000	NOT AVAILABLE USE, 53100-272-335.....		
	11609	53100-272-335	PIPE, STEERING HANDLE.....	1	F CA77-100001 TO
5		53175-271-000	NOT AVAILABLE USE, 53170-216-670.....		
	18276	53170-216-670	LEVER, RIGHT, STEERING HANDLE.....	1	F CA77-100001 TO
		53175-272-000	NOT AVAILABLE USE, 53170-216-670.....		
6		53178-271-000	NOT AVAILABLE USE, 53190-216-670.....		
	18278	53190-216-670	LEVER, LEFT, STEERING..... (SUPERSEDED BY 53190-286-670)	1	F CA77-100001 TO
	18279	53190-286-670	LEVER, LEFT, STEERING HANDLE.....	1	
		53178-272-000	NOT AVAILABLE USE 53190-216-670.....		
7	04715	53171-268-010	BRACKET, RIGHT, HANDLE LEVER.....	1	F CA77-100001 TO
8	04717	53172-268-010	BRACKET, LEFT, HANDLE LEVER.....	1	F CA77-100001 TO
8A	11754	53180-028-670	CAP, HANDLE LEVER.....	2	F CA77-1036486 TO
8B	11644	53126-212-810	KEEPER, HELMET.....	1	F CA77-1031234 TO
9	04720	53165-271-000	RUBBER, GRIP, RIGHT.....	1	F CA77-100001 TO
10	04721	53166-271-000	RUBBER, GRIP, LEFT.....	1	F CA77-100001 TO
11	04722	53141-271-000	PIPE, THROTTLE GRIP.....	1	F CA77-100001 TO
12	04723	53161-250-000	HINGE, THROTTLE CABLE.....	1	F CA77-100001 TO
13	04724	53162-271-000	STOPPER, THROTTLE CABLE.....	1	F CA77-100001 TO CA77-1032651
	11601	53162-042-000	STOPPER, THROTTLE CABLE.....	1	F CA77-1032652 TO
14	04725	53192-268-000	BOLT, CLUTCH CABLE ADJUSTING.....	2	F CA77-100001 TO
15	04736	53131-271-000	HOLDER, UPPER, HANDLE PIPE.....	1	F CA77-100001 TO CA77-1031233
	08898	53131-271-010	HOLDER, UPPER, HANDLE PIPE.....	1	F CA77-1031234 TO
16	04738	53132-271-000	HOLDER, LOWER, HANDLE PIPE.....	1	F CA77-100001 TO
17		45450-271-000	NOT AVAILABLE USE, 45454-272-000.....		
	04846	45454-272-000	CABLE, FRONT BRAKE.....	1	F CA77-100001 TO
18	04856	45435-250-000	SPRING, FRONT BRAKE ARM.....	1	
19		43486-250-000	NOT AVAILABLE USE, 95015-42000.....		
	25776	95015-42000	NUT, REAR BRAKE ADJUSTING.....	1	
20		43453-250-000	NOT AVAILABLE USE, 95015-32000.....		
	25775	95015-32000	JOINT, REAR BRAKE ARM.....	1	
21	05130	90114-268-020	BOLT, HANDLE LEVER PIVOT.....	2	F CA77-100001 TO
22	05139	90117-257-000	BOLT, HANDLE PIPE HOLDER SETTING.....	2	
23		90321-268-000	NOT AVAILABLE USE, 90321-315-670.....		

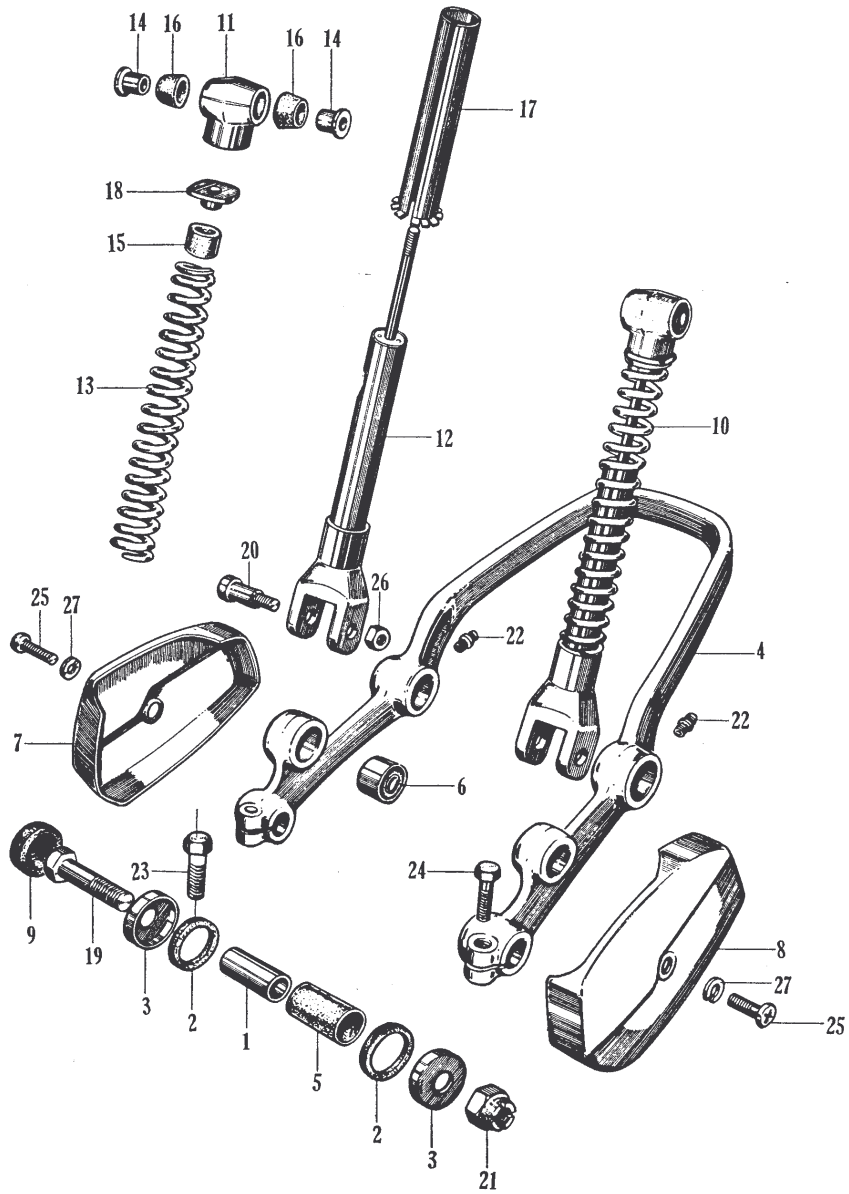
Handle Bar (2)



Handle Bar (2)

Ref. No.	H/C	Part Number	Description	CA77	Remarks
		24127 90321-315-670	NUT, FIXING.....	2	F CA77-100001 TO
23A	03463	88110-200-000	MIRROR, BACK, RIGHT.....	1	F CA77-100001 TO
24	03464	88120-200-810	MIRROR, BACK, LEFT.....	1	F CA77-100001 TO
25	05433	92000-06025-02	BOLT, HEX., 6X25.....	2	
26	05802	94001-06020	NUT, HEX., 6MM.....	2	F CA77-100001 TO
27	05791	94021-08020	NUT, BLIND, 8MM.....	2	
28	05910	94101-08200	WASHER, FLAT, 8MM.....	4	
29	10868	92500-08058-02	BOLT, BLIND, 8X58.....	2	F CA77-100001 TO

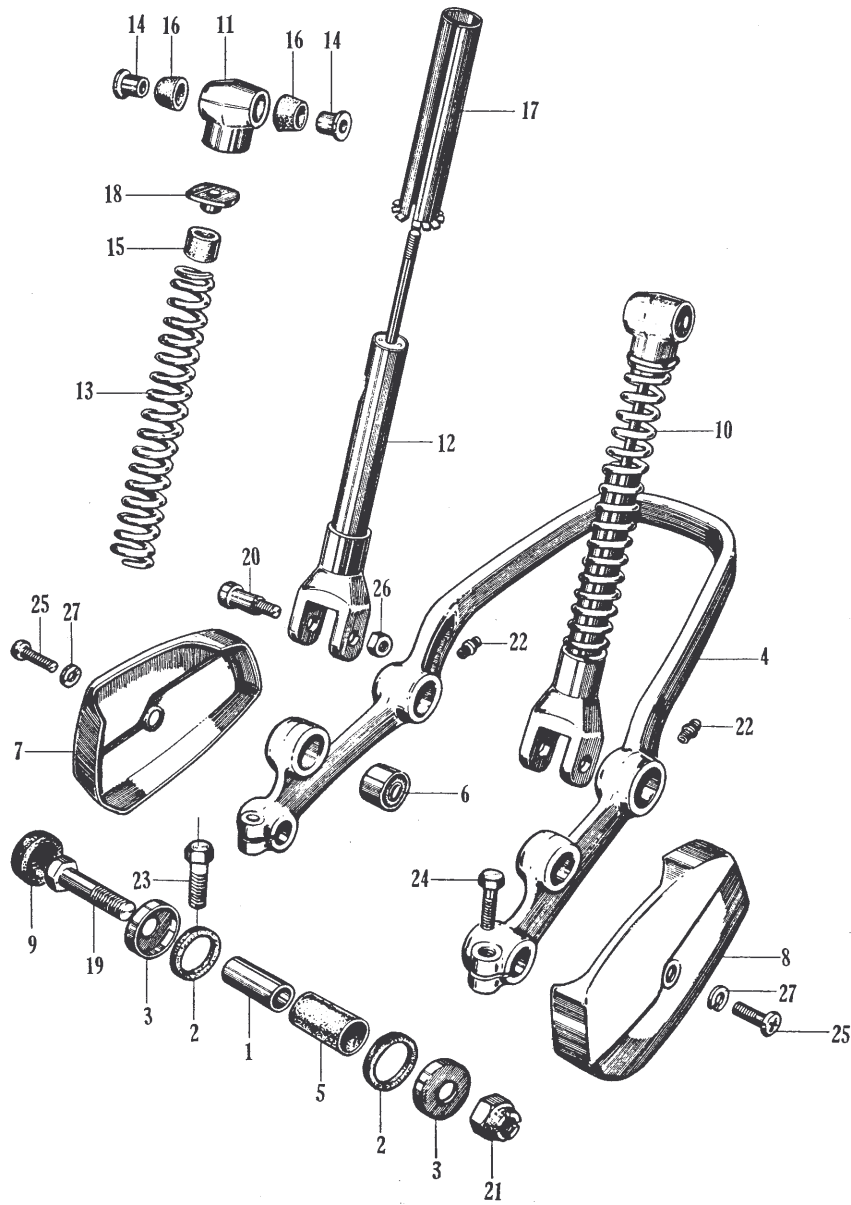
Front Cushion



FRONT CUSHION

Ref. No.	H/C	Part Number	Description	CA77	Remarks
1	04607	51331-250-000	COLLAR, FRONT ARM PIVOT.....	2	
2	04609	51232-250-000	DUST SEAL, FRONT ARM PIVOT.....	4	
3	04610	51333-250-000	CAP, FRONT ARM PIVOT DUST SEAL.....	4	
4	04613	51210-253-000	ARM, FRONT SUSPENSION.....	1	
5	04614	51214-253-300	BUSHING, FRONT ARM PIVOT.....	2	
6	04612	51215-250-000	BUSHING, LOWER, FRONT CUSHION.....	2	
7	04627	51344-250-000	COVER, LOWER, RIGHT, FRONT FORK.....	1	
8	04630	51345-250-000	COVER, LOWER, LEFT FRONT FORK.....	1	
9	04638	51349-250-000	RUBBER A, FRONT FORK LOWER COVER SUPPORTING	2	
10	04645	51400-259-000	CUSHION ASSY., FRONT.....	2	F CA77-10001 TO CA77-20902 F CA77-100001 TO CA77-102770 F CA77-310001 TO CA77-314731
	04646	51400-259-010	CUSHION ASSY., FRONT.....	2	F CA77-102771 TO CA77-109900 F CA77-400001 TO
11	04639	51410-250-000	METAL, UPPER, FRONT CUSHION.....	2	F CA77-10001 TO CA77-1009298
	08011	51410-250-010	METAL, UPPER, FRONT CUSHION.....	2	F CA77-1009299 TO
12	04653	51420-259-000	METAL, BOTTOM, FRONT CUSHION.....	2	F CA77-10001 TO CA77-1009298
	08554	51420-259-010	METAL, BOTTOM, FRONT CUSHION.....	2	F CA77-1009299 TO
13	04656	51457-259-000	SPRING, FRONT CUSHION.....	2	F CA77-10001 TO CA77-20902 F CA77-310001 TO CA77-314731 F CA77-100001 TO CA77-102770
	04657	51457-259-010	SPRING, FRONT CUSHION.....	2	F CA77-102771 TO CA77-109900 F CA77-400001 TO
14	04640	51510-250-000	COLLAR, UPPER, FRONT CUSHION.....	4	
15	04641	51519-250-010	RUBBER, FRONT CUSHION STOPPER.....	2	
16	04642	51632-250-000	BUSHING, RUBBER, FRONT CUSHION.....	4	
17	04643	51409-250-010	GUIDE, FRONT CUSHION SPRING.....	2	
18	04644	51538-250-000	NUT, FRONT CUSHION UPPER LOCK.....	2	F CA77-10001 TO CA77-1009298
	08556	51538-250-010	NUT, FRONT CUSHION UPPER LOCK.....	2	F CA77-1009299 TO
19	05144	90125-250-020	BOLT, FRONT ARM PIVOT.....	2	
20	05162	90149-250-000	BOLT, LOWER, FRONT CUSHION.....	2	
21	05192	90353-250-000	NUT, SELF LOCKING, 12MM.....	2	
22		96201-30000	NOT AVAILABLE USE, 96201-30001.....		
	25804	96201-30001	NIPPLE, GREASE, 4.5MM.....	2	
23		92000-08025	NOT AVAILABLE USE, 92000-08025-0A.....		
	15935	92000-08025-0A	BOLT, HEX., 8X25.....	1	
24		92000-08030	NOT AVAILABLE USE, 92000-08030-0A.....		
	20886	92000-08030-0A	BOLT, HEX., 8X30.....	1	
25	05743	93500-06012-02	SCREW, CROSS, 6X12.....	2	
26		94002-10000	NOT AVAILABLE USE, 94002-10000-0S.....		
	15698	94002-10000-0S	NUT, THIN, 10MM.....	2	

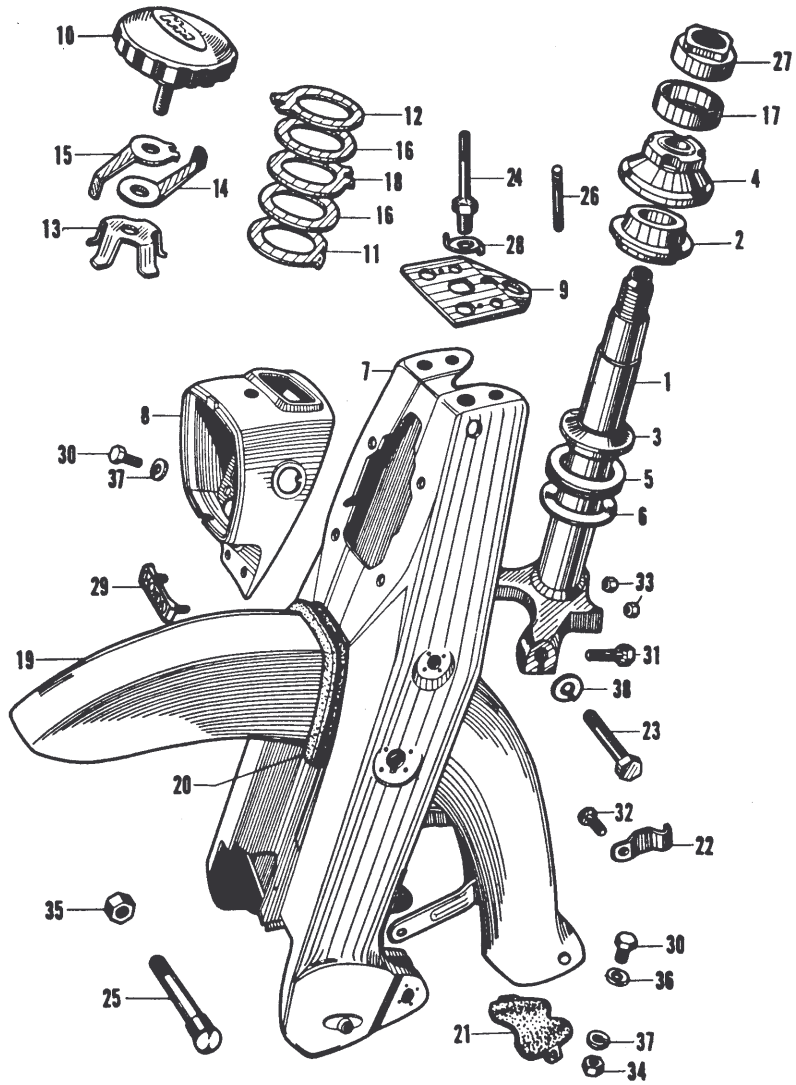
Front Cushion



FRONT CUSHION

Ref. No.	H/C	Part Number	Description	CA77	Remarks
27	05897	94111-06000	WASHER, SPRING, 6MM.....	2	

Front Fork . Front Fender



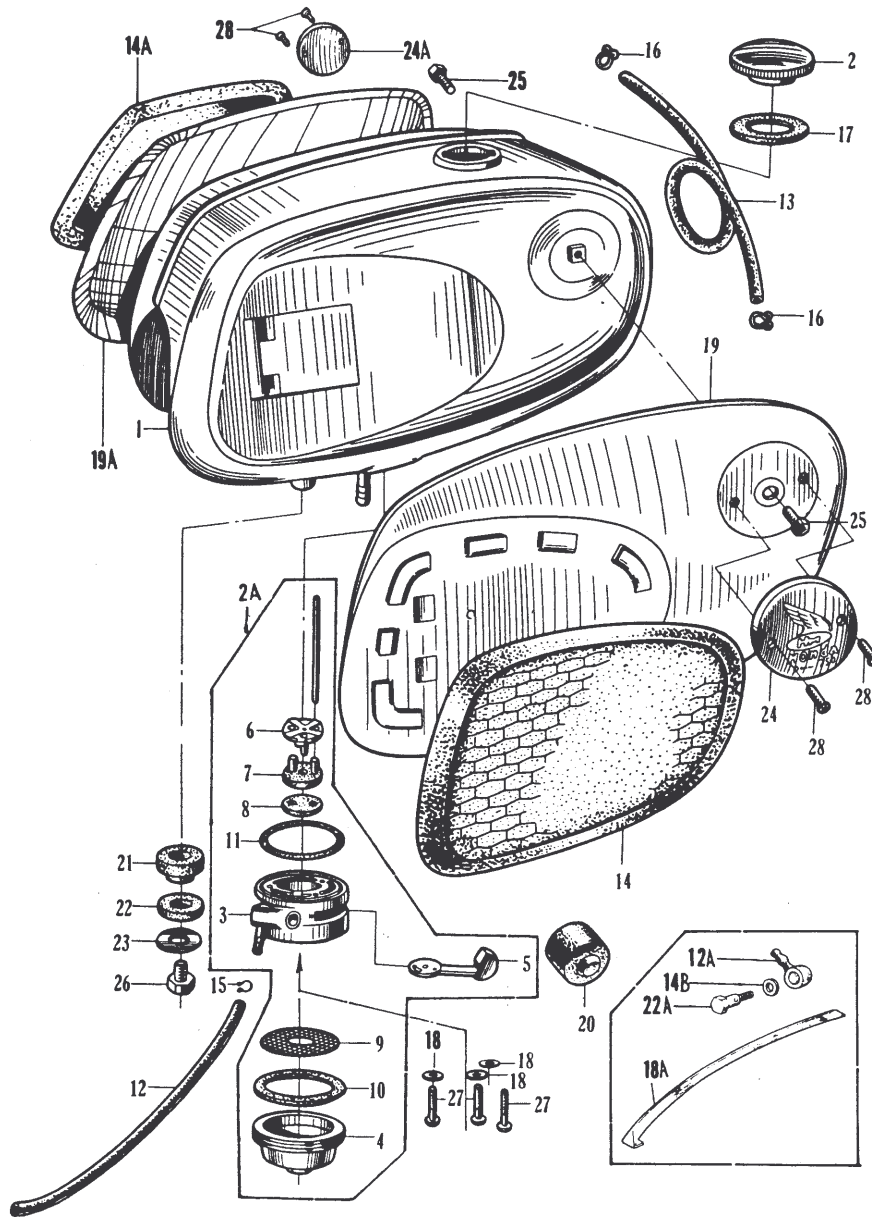
FRONT FORK . FRONT FENDER

Ref. No.	H/C	Part Number	Description	CA77	Remarks
1	08185	53200-257-000Z	STEM, STEERING.....	1	F CA77-10001 TO CA77-10900
	04589	53200-259-000B	STEM, STEERING.....	1	F CA77-10901 TO
2	04598	53211-253-305	RACE, STEERING TOP CONE.....	1	
3	04600	53212-250-305	RACE, STEERING BOTTOM CONE.....	1	
4	04601	53220-250-010	THREAD, STEERING HEAD TOP.....	1	
5	04604	53124-250-000	DUST SEAL, STEERING HEAD.....	1	
6	04605	53215-250-000	WASHER, STEERING HEAD DUST SEAL.....	1	
7	04606	51100-271-000Z	FORK, FRONT.....	1	F CA77-10001 TO
8		61301-262-000Z	NOT AVAILABLE USE, 61301-271-000Z.....		
	04694	61301-271-000Z	CASE, HEADLIGHT.....	1	
9	04727	53230-257-000Z	PLATE, FORK TOP BRIDGE.....	1	F CA77-10001 TO CA77-20902
	04732	53231-271-000Z	PLATE, FORK TOP BRIDGE.....	1	F CA77-100001 TO
10	04745	53740-257-000	KNOB, STEERING DAMPER.....	1	
11	04748	53761-250-030	PLATE, BOTTOM, STEERING DAMPER.....	1	
12	04752	53762-250-020	PLATE, UPPER, STEERING DAMPER.....	1	
13	04755	53763-258-000	SPRING, STEERING DAMPER.....	1	
14	04760	53765-257-000	SPRING, DAMPER KNOB LOCKING.....	1	
15	04762	53767-258-000	LOCK, STEERING DAMPER PLATE.....	1	
16	04763	53751-250-000	DISC, STEERING DAMPER FRICTION.....	2	
17	04768	53768-250-000	RING, STEERING DAMPER FRICTION.....	1	
18	04769	52769-250-010	PLATE, STEERING DAMPER PRESSURE.....	1	
19	04858	61100-271-000Z	FENDER, FRONT.....	1	
20	04862	61191-250-000	PACKING, FRONT FENDER.....	1	F CA77-10001 TO CA77-20902
	04863	61191-271-000	PACKING, FRONT FENDER.....	1	F CA77-100001 TO
21	04864	61114-250-000	MUDGUARD, FRONT.....	1	
22	05067	44852-253-000	CLIP, SPEEDOMETER CABLE.....	1	
23	05138	90123-250-010	BOLT, FRONT FORK SUPPORTING.....	1	
24	05139	90117-257-000	BOLT, HANDLE PIPE HOLDER SETTING.....	2	F CA77-10001 TO CA77-1025331
	08907	90117-271-000	BOLT, HANDLE PIPE HOLDER SETTING.....	2	F CA77-1025332 TO
25	05160	90147-250-000	BOLT, UPPER, FRONT CUSHION.....	2	
26	08112	92700-08060	STUD, BOLT, 8X60.....	2	F CA77-10001 TO CA77-20902
	10868	92500-08058-02	BOLT, BLIND, 8X58.....	2	F CA77-100001 TO CA77-1025331
	08899	92500-08062-02	BOLT, BLIND, 8X62.....	2	F CA77-1025332 TO
27	05176	90304-250-020	NUT, STEERING HEAD STEM.....	1	
28	05211	90532-257-000	WASHER, TOP BRIDGE TAB.....	2	
29	05253	87101-271-000	EMBLEM, HEADLIGHT CASE.....	1	F CA77-100001 TO
30	05419	92000-06012	BOLT, HEX., 6X12MM.....	6	

FRONT FORK . FRONT FENDER

Ref. No.	H/C	Part Number	Description	CA77	Remarks
31		92000-08030	NOT AVAILABLE USE, 92000-08030-0A.....		
	20886	92000-08030-0A	BOLT, HEX., 8X30.....	2	
32	05712	93500-05010	SCREW, CROSS, 5X10.....	1	
33	05798	94001-04000	NUT, HEX., 4MM.....	2	
34		94001-06000	NOT AVAILABLE USE, 94001-06000-0S.....		
	15606	94001-06000-0S	NUT, HEX., 6MM.....	2	
35		94001-10000	NOT AVAILABLE USE, 94030-10000.....		
	22302	94030-10000	NUT, HEX., 10MM.....	2	
36	05907	94101-06000	WASHER, FLAT, 6MM.....	2	
37	05897	94111-06000	WASHER, LOCK, 6MM.....	6	
38	05902	94111-12000	WASHER, LOCK, 12MM.....	2	

Fuel Tank



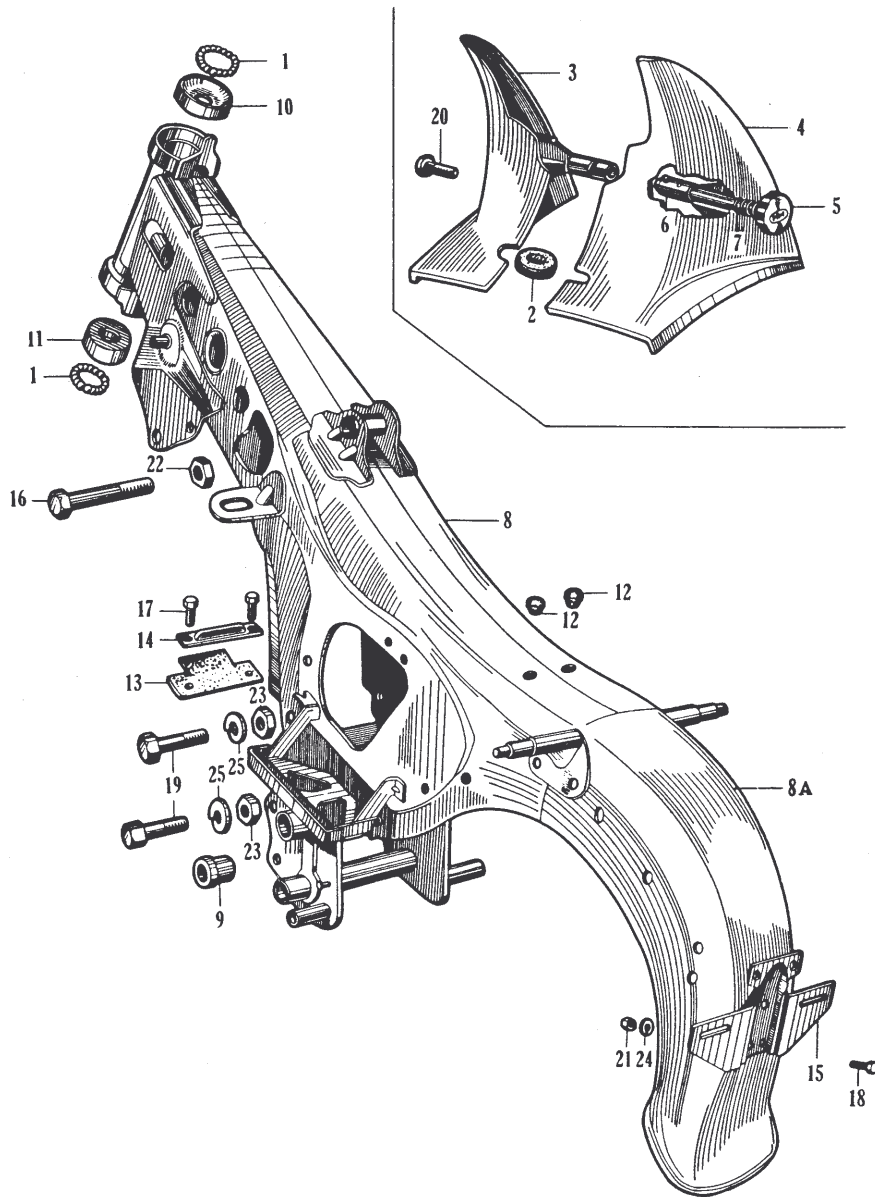
Fuel Tank

Ref. No.	H/C	Part Number	Description	CA77	Remarks
1	04203	17500-266-010Z	TANK, FUEL.....	1	F CA77-10001 TO CA77-20902
	04198	17500-271-000Z	TANK, FUEL.....	1	F CA77-100001 TO
2	04205	17620-259-000	CAP, FUEL FILLER.....	1	
2A		16950-259-010	NOT AVAILABLE USE, 16950-257-000.....		
	26881	16950-257-000	COCK ASSY., FUEL.....	1	
3	04218	16951-259-010	BODY, FUEL COCK.....	1	
4	04214	16952-257-000	CAP, FUEL STRAINER.....	1	
5	04207	16953-250-010	LEVER, FUEL COCK.....	1	
6	04208	16954-250-000	PLATE, FUEL COCK.....	1	
7	04209	16995-250-020	PACKING A, COCK VALVE.....	1	
8	04210	16956-250-010	PACKING B, COCK VALVE.....	1	
9	04211	16957-250-010	SCREEN, FUEL STRAINER.....	1	
10	04212	16958-250-010	PACKING, FUEL STRAINER CUP.....	1	
11	04213	16959-250-000	PACKING, FUEL COCK.....	1	
12		95001-50450	NOT AVAILABLE USE, 95001-50000-90.....		
	35889	95001-50000-90	TUBE FUEL.....	1	
		95001-50100	NOT AVAILABLE USE, 95001-50000-90.....		
12A	04228	17625-250-000	JOINT, FUEL FEED TUBE.....	1	
13		95001-70170	NOT AVAILABLE USE, 95001-70330.....		
	10456	95001-70330	TUBE, FUEL, 7X330.....	1	
14	04237	17661-266-000	RUBBER, RIGHT, KNEE GRIP.....	1	F CA77-10001 TO CA77-20902
	04234	17661-271-000	RUBBER, RIGHT, KNEE GRIP.....	1	F CA77-100001 TO
14A	04242	17662-266-000	RUBBER, LEFT, KNEE GRIP.....	1	F CA77-10001 TO CA77-20902
	04239	17662-271-000	RUBBER, LEFT, KNEE GRIP.....	1	F CA77-100001 TO
14B	04243	17791-250-000	PACKING, FUEL FEED TUBE JOINT.....	2	
15	05344	95002-50000	CLIP, FUEL TUBE, 5MM.....	1	
16	05359	95002-70000	CLIP, FUEL TUBE, 7MM.....	2	
17	04245	17631-259-000	PACKING, FUEL FILLER CAP.....	1	
18	04246	17993-250-000	PACKING, FUEL COCK FIXING.....	3	
18A	04247	17691-259-010	ORNAMENT, FUEL TANK.....	1	
19	04253	17640-266-000	COVER, RIGHT, FUEL TANK SIDE.....	1	F CA77-10001 TO CA77-20902
	04251	17640-271-000	COVER, RIGHT, FUEL TANK SIDE.....	1	F CA77-100001 TO
19A	04257	17650-266-000	COVER, LEFT, FUEL TANK SIDE.....	1	F CA77-10001 TO CA77-20902
	04255	17650-271-000	COVER, LEFT, FUEL TANK SIDE.....	1	F CA77-100001 TO
20	04258	17611-259-000	CUSHION, FRONT, FUEL TANK.....	2	
21	04261	17613-259-000	CUSHION A, REAR, FUEL TANK.....	2	
22	04264	17614-259-000	CUSHION B, REAR, FUEL TANK.....	2	

FUEL TANK

Ref. No.	H/C	Part Number	Description	CA77	Remarks
22A	05200	90168-250-010	BOLT, FUEL TUBE JOINT.....	1	
23	05210	90529-250-000	WASHER, 10.5MM.....	2	
24		87121-279-810	NOT AVAILABLE USE, 87121-230-010.....		
	19998	87121-230-010	EMBLEM, RIGHT.....	1	
24A		87122-279-810	NOT AVAILABLE USE, 87122-230-010.....		
	19999	87122-230-010	EMBLEM, LEFT.....	1	
25	05415	92000-06008	BOLT, HEX., 6X8.....	2	
26		92000-08012	NOT AVAILABLE USE, 92000-08012-0A.....	2	
	18102	92000-08012-0A	BOLT, HEX., 8X12.....	2	
27	05753	93500-06025	SCREW, CROSS, 6X25.....	3	
28	05673	93500-03010-02	SCREW, CROSS, 3X10.....	4	

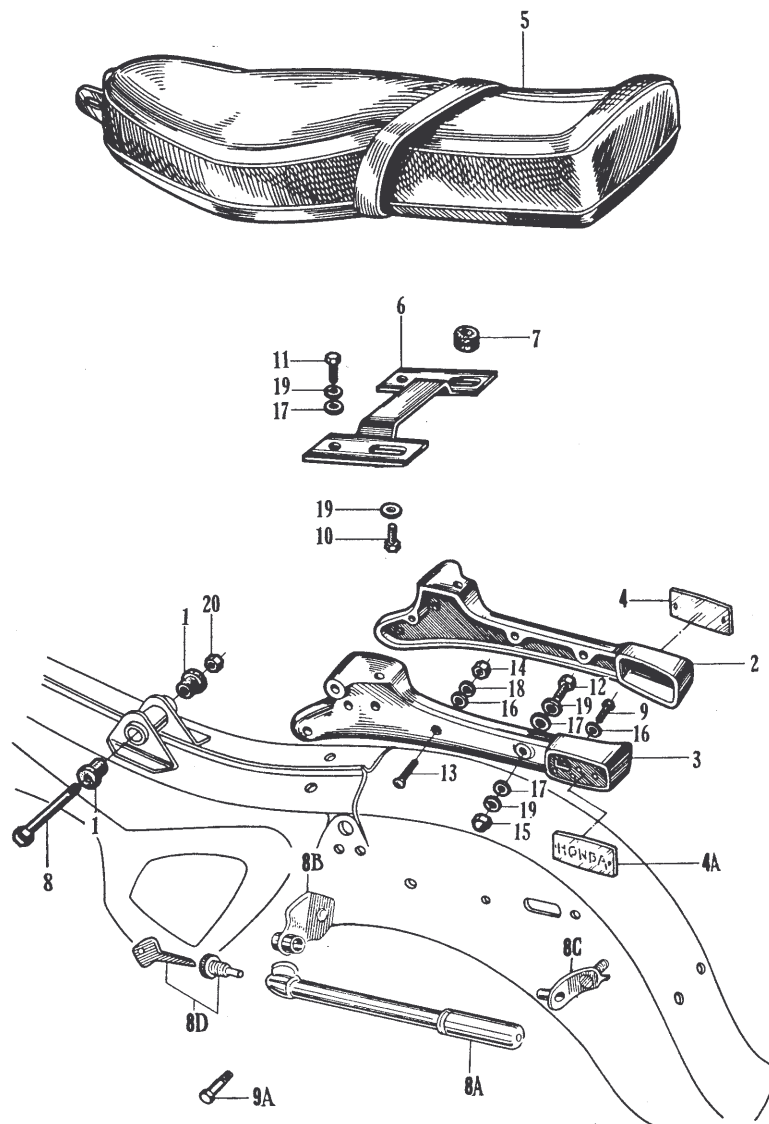
Frame Body



Frame Body

Ref. No.	H/C	Part Number	Description	CA77	Remarks
1	07990	96211-08000	BALL, STEEL, #8.....	38	
2	04156	32989-258-000	GROMMET, IGNITION CORD.....	1	
3	04185	17260-259-020	SHIELD, RIGHT, FRAME DUST.....	1	
4	04186	17361-259-030	SHIELD, LEFT, FRAME DUST.....	1	
5	04187	17362-259-000	LATCH, FRAME DUST SHIELD.....	1	
6	04188	17494-259-000	CONNECTOR, DUST SHIELD.....	1	
7	04189	17364-259-300	SPRING, STOPPER.....	1	
8	04312	50100-262-000Z	BODY, FRAME.....	1	F CA77-10001 TO CA77-10900
	04313	50100-262-010Z	BODY, FRAME.....	1	F CA77-10901 TO CA77-20902
	04314	50100-271-000Z	BODY, FRAME.....	1	F CA77-100001 TO CA77-1010862
	08087	50100-271-010Z	BODY, FRAME.....	1	F CA77-1010863 TO
8A	04319	50206-262-000Z	FENDER, REAR.....	1	F CA77-10001 TO CA77-20902
	04320	50206-271-000Z	FENDER, REAR.....	1	F CA77-100001 TO CA77-109000
9	04307	50101-250-320	BUSHING, REAR FORK PIVOT BOLT.....	1	
10	04322	50301-253-305	RACE, STEERING TOP.....	1	
11	04324	50302-250-305	RACE, STEERING BOTTOM.....	1	
12	04349	50317-254-600	PLUG, FRAME HOLE.....	1	
13	04351	50311-259-000	MUDGUARD, FRAME.....	1	
14	04352	50314-259-000	HOLDER, FRAME MUDGUARD.....	1	
15		84701-271-000Z	NOT AVAILABLE USE, 84701-271-305Z.....		
	24442	84701-271-305Z	BRACKET, NUMBER PLATE.....	1	F CA77-100001 TO CA77-109000 F CA77-310001 TO
16	05115	90105-259-000	BOLT, ENGINE HANGER.....	2	
17	05398	92000-04012	BOLT, HEX., 4X12.....	2	
18	05419	92000-06012	BOLT, HEX., 6X12MM.....	2	
19	05522	92000-10048	BOLT, HEX., 10X48.....	4 3	F CA77-10001 TO CA77-1036469 F CA77-1036470 TO
20	05749	93500-06020	SCREW, CROSS, 6X20.....	1	
21		94001-06000	NOT AVAILABLE USE, 94001-06000-0S.....		
	15606	94001-06000-0S	NUT, HEX., 6MM.....	2	
22		94001-08000	NOT AVAILABLE USE, 94030-08000.....		
	11468	94030-08000	NUT, HEX., 8MM.....	2	
23		94001-10000	NOT AVAILABLE USE, 94030-10000.....		
	22302	94030-10000	NUT HEX., 10MM.....	4	
24	05897	94111-06000	WASHER, LOCK, 6MM.....	2	
25	05900	94111-10000	WASHER, LOCK, 10MM.....	4	

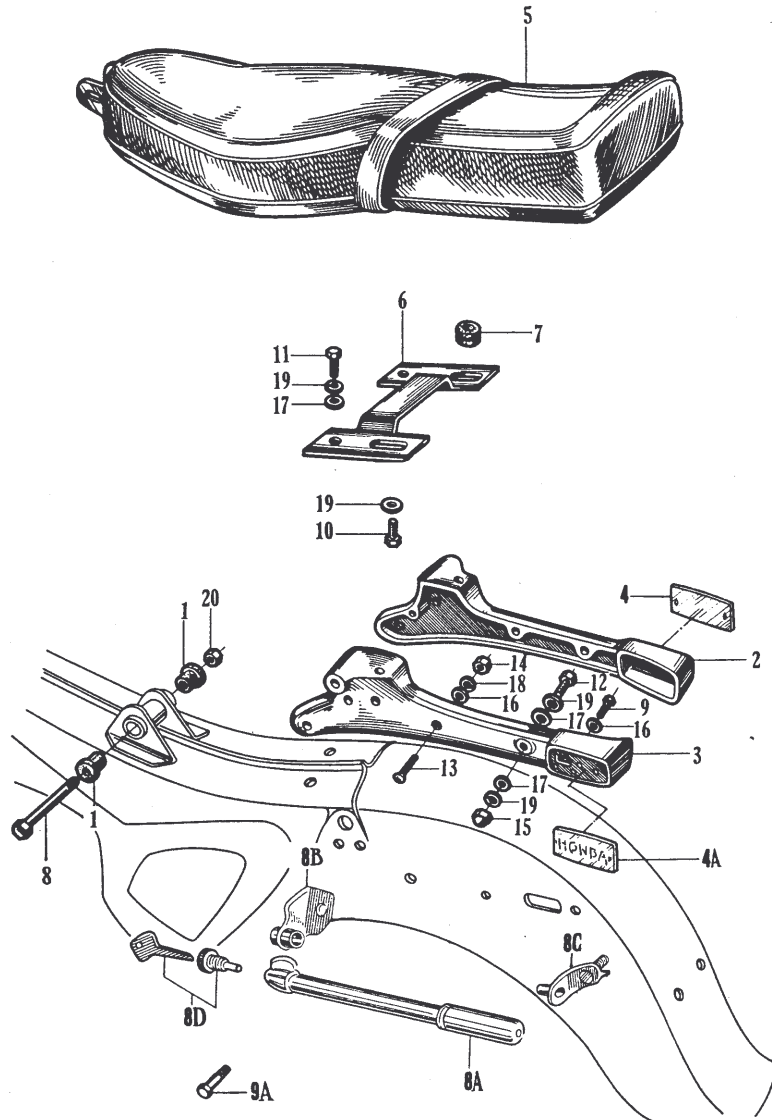
Dual Seat



Dual Seat

Ref. No.	H/C	Part Number	Description	CA77	Remarks
1	02844	50090-259-300	BUSHING, SEAT PIVOT.....	2	
2	04336	50303-250-050	METAL, RIGHT, LUGGAGE CARRIER SUPPORTING...	1	F CA77-10001 TO CA77-20902
	04337	50303-271-000	METAL, RIGHT, LUGGAGE CARRIER SUPPORTING...	1	F CA77-100001 TO
3	04338	50306-250-050	METAL, LEFT, LUGGAGE CARRIER SUPPORTING....	1	F CA77-10001 TO CA77-20902
	04339	50306-271-000	METAL, LEFT, LUGGAGE CARRIER SUPPORTING ...	1	F CA77-100001 TO
4	04340	50307-272-010	CAP, RIGHT, LUGGAGE CARRIER SUPPORTING.....	1	
4A	04341	50308-272-010	CAP, LEFT, LUGGAGE CARRIER SUPPORTING.....	1	
5	04579	77200-259-810E	SEAT, DUAL *SCARLET*.....	1	F CA77-10001 TO CA77-20902
	04580	77200-259-810A	SEAT, DUAL *BLACK*.....	1	F CA77-10001 TO CA77-20902
	04578	77200-259-810D	SEAT, DUAL *BLUE*.....	1	F CA77-10001 TO CA77-20902
	04581	77200-259-810Q	SEAT, DUAL *WHITE*.....	1	F CA77-10001 TO CA77-20902
	04585	77200-272-010E	SEAT, DUAL *SCARLET*.....	1	F CA77-100001 TO
	04582	77200-272-010D	SEAT, DUAL *BLUE*.....	1	F CA77-100001 TO
	04584	77200-272-010Q	SEAT, DUAL *WHITE*.....	1	F CA77-100001 TO
	04583	77200-272-010A	SEAT, DUAL *BLACK*.....	1	F CA77-100001 TO
6	04586	77124-254-010	STAY, SEAT SETTING.....	1	
7	04587	77226-272-010	COLLAR, SEAT SETTING.....	1	F CA77-100001 TO
8	05112	90101-254-000	PIN, SEAT PIVOT.....	1	F CA77-10001 TO CA77-20902
	05113	90101-272-000	PIN, SEAT PIVOT.....	1	F CA77-100001 TO
8A	07371	08105-25900	TIRE PUMP COMP.	1	
8B	05267	89421-253-000	PLATE, FRONT AIR PUMP SETTING.....	1	
8C	05268	89422-253-000	PLATE, REAR AIR PUMP SETTING.....	1	
8D	05269	89423-253-000	KEY ASSY., PUMP.....	1	
9	05421	92000-06014	BOLT, HEX., 6X14.....	2	
9A	05423	92000-06016	BOLT, HEX., 6X12.....	2	
10		92000-08016	NOT AVAILABLE USE, 92000-08016-0A.....		
	14543	92000-08016-0A	BOLT, HEX., 8X16.....	2	
11		92000-08020	NOT AVAILABLE USE, 92000-08020-0A.....		
	17172	92000-08020-0A	BOLT, HEX., 8X20.....	2	
12		92000-08025	NOT AVAILABLE USE, 92000-08025-0A.....		
	15935	92000-08025-0A	BOLT, HEX., 8X25.....	2	
13	05651	93700-06020	SCREW, CROSS, 6X20.....	8	
14		94001-06000	NOT AVAILABLE USE, 94001-06000-0S.....		
	15606	94001-06000-0S	NUT, HEX., 6MM.....	8	
15	05791	94021-08020	NUT, BLIND, 8MM.....	2	
16	05907	94101-06000	WASHER, FLAT, 6MM.....	10	
17	05909	94101-08000	WASHER, FLAT, 8MM.....	6	

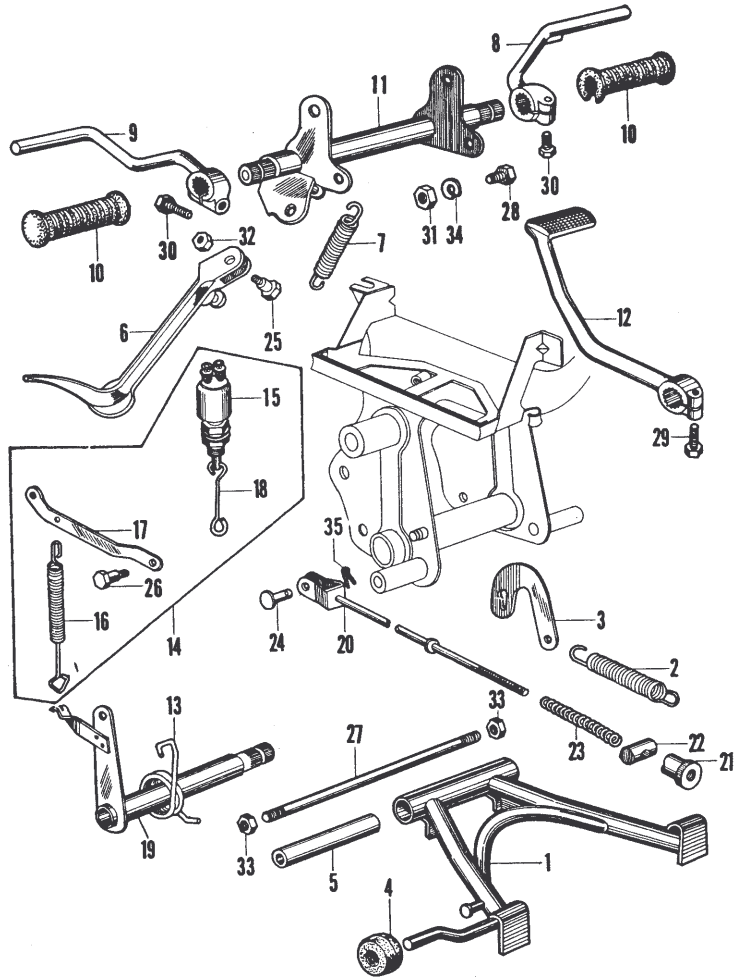
Dual Seat



Dual Seat

Ref. No.	H/C	Part Number	Description	CA77	Remarks
18	05897	94111-06000	WASHER, LOCK, 6MM.....	8	
19	05898	94111-08000	WASHER, LOCK, 8MM.....	4	
20		94001-08000	NOT AVAILABLE USE, 94030-08000.....		
	11468	94030-08000	NUT, HEX., 8MM.....	1	

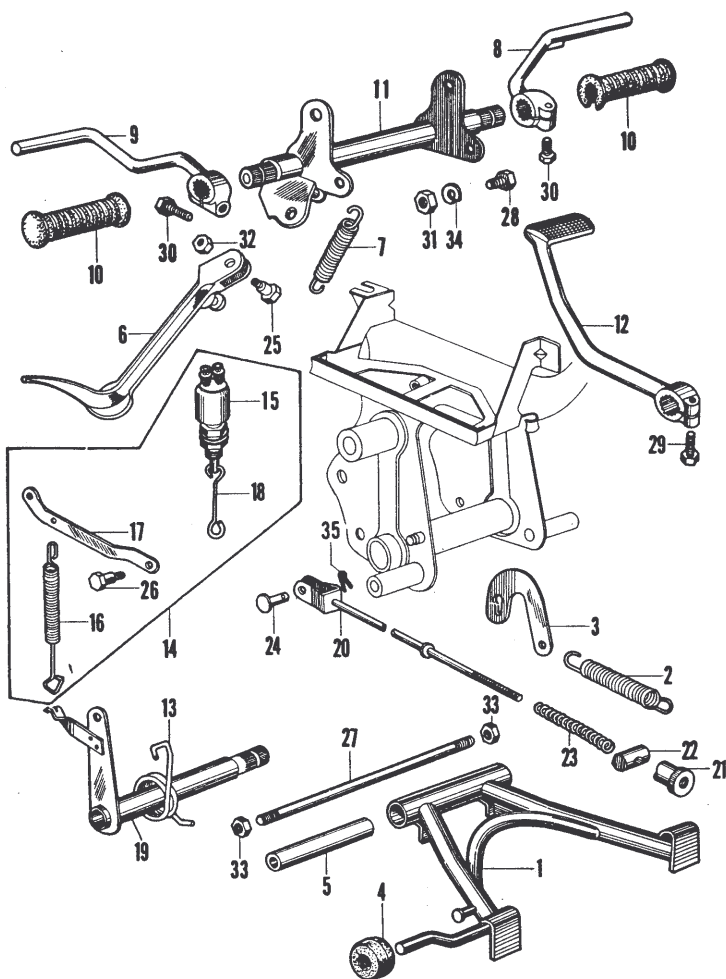
Main Stand . Step Bar



MAIN STAND . STEP BAR

Ref. No.	H/C	Part Number	Description	CA77	Remarks
1	11639	50500-272-000B	STAND, MAIN.....	1	
2	04362	50522-250-000	SPRING, MAIN STAND.....	1	
3	04364	50523-259-000	HOOK, MAIN STAND SPRING.....	1	
4	04366	50524-259-000	RUBBER, MAIN STAND STOPPER.....	1	
5	04369	50525-259-000	COLLAR, MAIN STAND DISTANCE.....	1	
6	04370	50530-259-000	BAR, SIDE STAND.....	1	
7	04374	50542-259-000	SPRING, SIDE STAND.....	1	
8	04379	50630-259-010B	BAR, RIGHT, STEP.....	1	
9	04385	50640-259-010B	BAR, LEFT, STEP.....	1	
10	04391	50661-259-000	RUBBER, STEP.....	2	
11	04398	50610-259-010B	FIXING, STEP BAR.....	1	
12	11638	46500-272-000	PEDAL, BRAKE.....	1	
13	04417	46514-259-000	SPRING, BRAKE PEDAL.....	1	F CA77-10001 TO CA77-20902 F CA77-310001 TO CA77-312800
	04418	46514-259-010	SPRING, BRAKE PEDAL.....	1	F CA77-100001 TO CA77-109900 F CA77-312801 TO
14	04534	35350-259-000	SWITCH ASSY., STOP LAMP.....	1	F CA77-10001 TO CA77-1036469
	11858	35350-271-000	SWITCH ASSY., STOP LAMP.....	1	F CA77-1036470 TO
15	04538	35351-259-000	SWITCH, STOP LAMP.....	1	
16	04533	35357-253-000	SPRING, STOP SWITCH.....	1	F CA77-10001 TO CA77-1036469
	11859	35357-271-000	SPRING, STOP SWITCH.....	1	F CA77-1036470 TO
17	04541	35356-259-000	ARM, STOP SWITCH.....	1	
18	04542	35355-259-000	ROD, STOP SWITCH.....	1	
19	05087	43440-259-010	SPINDLE, REAR BRAKE.....	1	F CA77-10001 TO CA77-20902 F CA77-310001 TO CA77-314731 F CA77-100001 TO CA77-109900 F CA77-400001 TO CA77-1036469
	11860	43440-271-000	SPINDLE, REAR BRAKE.....	1	F CA77-1036470 TO
20	05106	43450-259-000	ROD, REAR BRAKE.....	1	F CA77-10001 TO CA77-20902 F CA77-310001 TO CA77-312800
	05107	43450-259-010	ROD, REAR BRAKE.....	1	F CA77-100001 TO CA77-109900 F CA77-312801 TO
21		43486-250-000	NOT AVAILABLE USE, 95015-42000.....		
	25776	95015-42000	NUT, B REAR BRAKE ADJUSTING.....	1	
22		43453-250-000	NOT AVAILABLE USE, 95015-32000.....		
	25775	95015-32000	JOINT BRAKE ARM.....	1	
23	05100	43472-259-000	SPRING, BRAKE ROD.....	1	
24	05109	43471-259-000	PIN, BRAKE ROD JOINT.....	1	
25	05127	90108-259-000	BOLT, SIDE STAND PIVOT.....	1	
26	05152	90128-250-000	SCREW, STOP SWITCH ARM PIVOT.....	1	
27	05163	90151-259-000	BOLT, MAIN STAND ANCHOR.....	1	

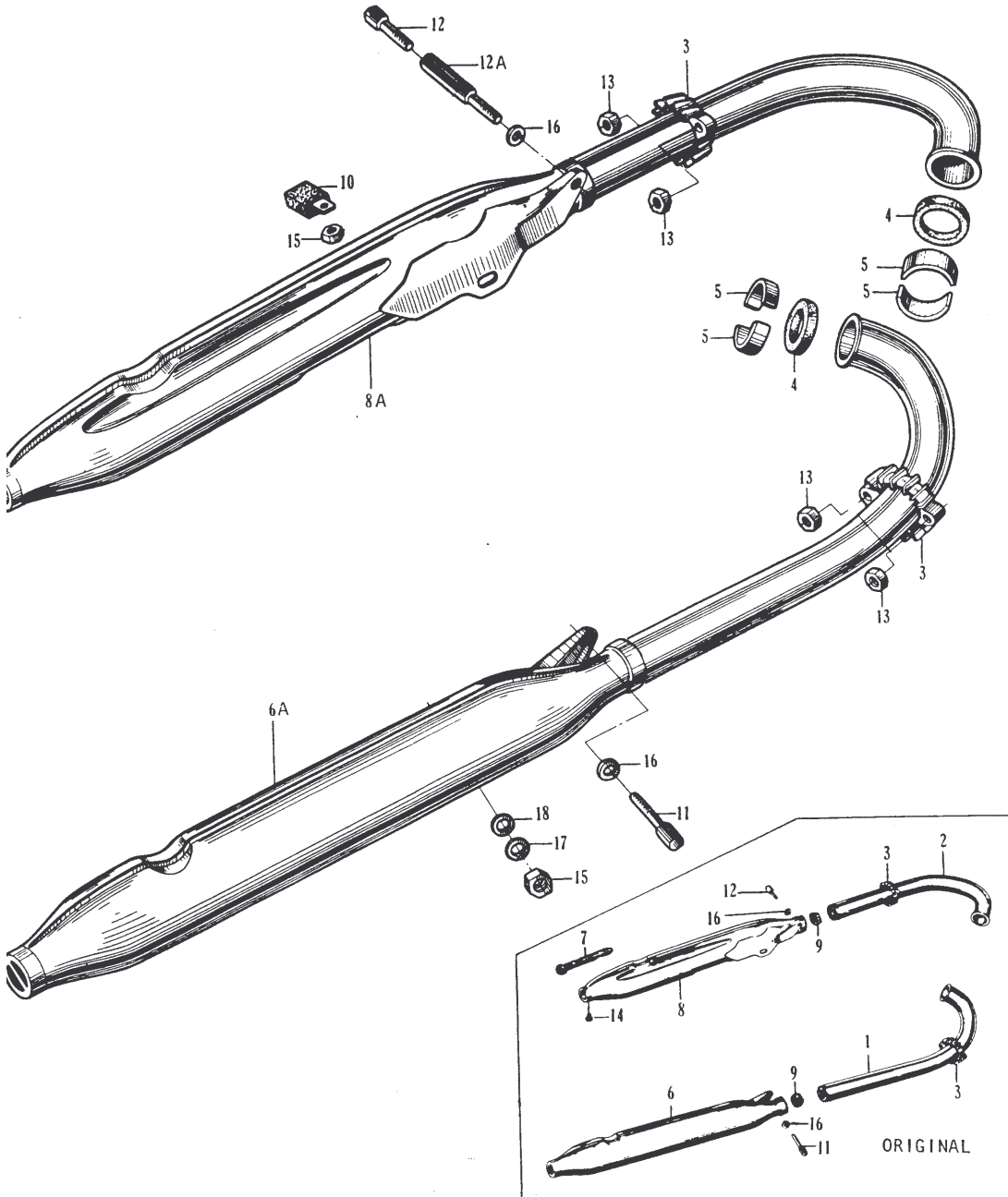
Main Stand . Step Bar



MAIN STAND . STEP BAR

Ref. No.	H/C	Part Number	Description	CA77	Remarks
28		92000-08016	NOT AVAILABLE USE, 92000-08016.....		
	14543	92000-08016-0A	BOLT, HEX., 8X16.....	2	
29		92000-08025	NOT AVAILABLE USE, 92000-08025-0A.....		
	15935	92000-08025-0A	BOLT, HEX., 8x25.....	1	
30		92000-08028	NOT AVAILABLE USE, 92000-08028-0A.....		
	15514	92000-08028-0A	BOLT, HEX., 8X28.....	2	
31		94001-08000	NOT AVAILABLE USE, 94030-08000.....		
	11468	94030-08000	NUT, HEX., 8MM.....	2	
32		94001-10000	NOT AVAILABLE USE, 94030-10000.....		
	22302	94030-10000	NUT, HEX., 10MM.....	1	
33		94002-10000	NOT AVAILABLE USE, 94002-10000-0S.....		
	15698	94002-10000-0S	NUT, THIN, 10MM.....	2	
34	05898	94111-08000	WASHER, LOCK, 8MM.....	2	
35		94201-16150	NOT AVAILABLE USE, 94201-16250.....		
	05833	94201-16250	PIN, COTTER, 1.6.....	1	

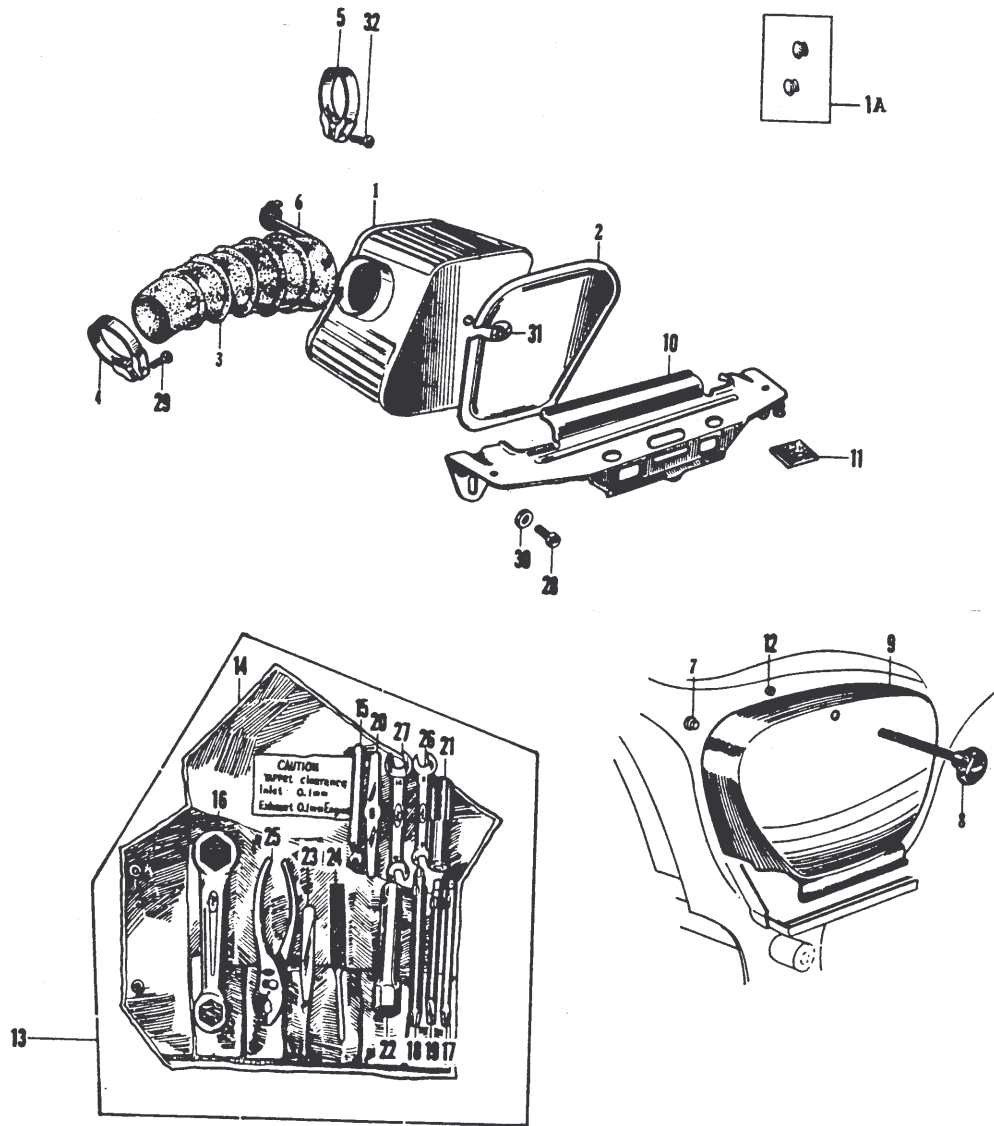
Exhaust Pipe . Muffler



Muffler

Ref. No.	H/C	Part Number	Description	CA77	Remarks
1	04266	18210-259-000	PIPE, EXHAUST, RIGHT.....	1	F CA77-10001 TO CA77-1036469
2	04271	18220-259-000	PIPE, EXHAUST, LEFT.....	1	F CA77-10001 TO CA77-1036469
3	04276	18231-259-000	JOINT, EXHAUST PIPE.....	2	F CA77-10001 TO CA77-1036469
	11866	18231-268-000	JOINT, EXHAUST PIPE.....	2	F CA77-1036470 TO
4	04278	18291-254-000	GASKET, EXHAUST PIPE.....	2	
5	04279	18233-259-000	COLLAR, EXHAUST PIPE JOINT.....	4	F CA77-10001 TO CA77-1036469
	04280	18233-273-000	COLLAR, EXHAUST PIPE.....	4	F CA77-1036470 TO
6		18310-259-315	NOT AVAILABLE, USE 18310-259-020 W/ 18391-254-010		
6A		18300-272-000	NOT AVAILABLE USE, 18310-259-020 W/ 18391-254-010		
	04289	18310-259-020	MUFFLER, RIGHT STAINLESS.....	1	F CA77-10001 TO CA77-10650 F CA77-10651 TO CA77-109900 F CA77-310001 TO CA77-1036469
7	04295	18311-259-010	PIPE, EXHAUST DIFFUSOR.....	2	F CA77-10001 TO CA77-1036469
8	04297	18330-259-010	MUFFLER, LEFT IRON.....	1	
8A	04298	18330-259-030	MUFFLER, LEFT EXHAUST.....	1	
9	04304	18391-259-000	PACKING, MUFFLER.....	2	F CA77-10001 TO CA77-20902 F CA77-310001 TO CA77-312349
	04303	18391-254-010	PACKING, MUFFLER.....	2	F CA77-100001 TO CA77-109900 F CA77-312350 TO CA77-1036469
10	04377	50543-259-000	RUBBER, SIDE STAND STOPPER.....	1	
11	05171	90157-259-000	BOLT, RIGHT MUFFLER SETTING.....	1	
12	05172	90158-259-000	BOLT, LEFT MUFFLER SETTING.....	1	F CA77-10001 TO CA77-1036469
	11951	90158-271-000	BOLT, LEFT MUFFLER SETTING.....	1	F CA77-1036470 TO
12A	11950	90116-271-000	BOLT, LEFT MUFFLER SETTING.....	1	F CA77-1036470 TO
13	15606	94001-06000-0S	NUT, HEX., 6MM.....	4	
14	05415	92000-06008	BOLT, HEX., 6X8.....	2	F CA77-10001 TO CA77-1036469
15	22302	94030-10000	NUT, HEX., 10MM.....	2	
16	05898	94111-08000	WASHER, LOCK, 8MM.....	2	
17	05900	94111-10000	WASHER, LOCK, 10MM.....	2	
18	05911	94101-10000	WASHER, FLAT, 10MM.....	4	

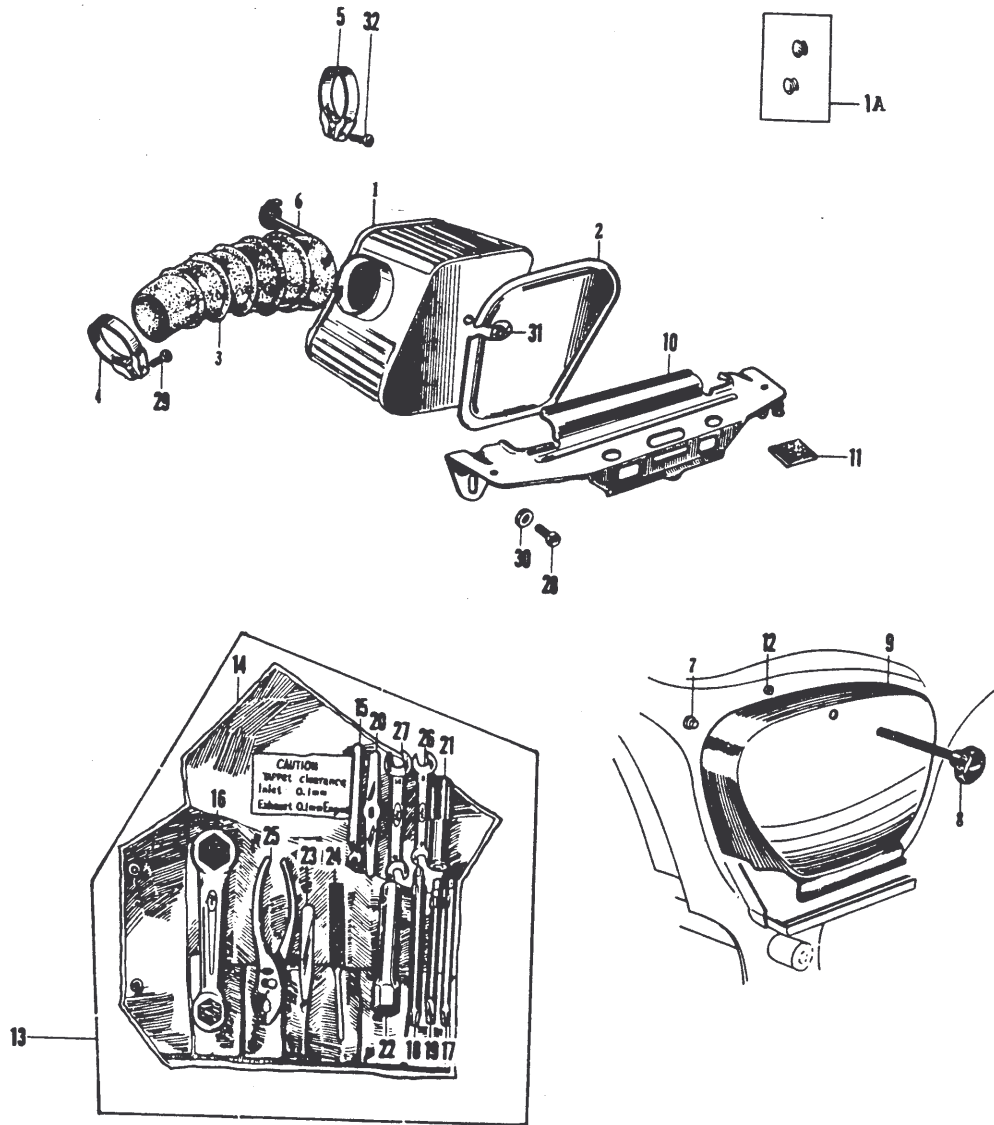
Air Cleaner . Tool Case . Tools



AIR CLEANER . TOOL SET

Ref. No.	H/C	Part Number	Description	CA77	Remarks
1	11934	17211-271-000	ELEMENT, AIR CLEANER.....	1	
1A	11933	17212-271-303	PLUG, AIR CLEANER.....	2	F CA77-10001 TO CA77-1036538
2	04169	17241-259-000	LID, AIR CLEANER.....	1	
3	04172	17253-259-000	TUBE, AIR CLEANER CONNECTING.....	1	
4	04178	17255-259-000	BAND A, CONNECTING TUBE.....	1	
5	04181	17256-259-000	BAND B, CONNECTING TUBE.....	1	
6	04182	17245-250-000	FIXER, AIR CLEANER ELEMENT.....	1	
7	04344	50391-250-010	RUBBER, TOOL BOX SHOCK PROOF.....	2	
8	04432	83550-259-000	LATCH, TOOL BOX.....	1	F CA77-10001 TO CA77-1010862
	08088	83550-271-000	LATCH, TOOL BOX.....	1	F CA77-1010863 TO
9	04433	83500-259-000Z	BOX, TOOL.....	1	F CA77-10001 TO CA77-1010862
	08089	83500-271-000Z	BOX, TOOL.....	1	F CA77-1010863 TO
10	04436	83530-259-000Z	BOARD, TOOL TRAY.....	1	F CA77-10001 TO CA77-1010862
	08090	83530-271-000Z	BOARD, TOOL TRAY.....	1	F CA77-1010863 TO
11	08092	83531-271-300	RUBBER, TERMINAL SEAL.....	1	
12	18103	94002-06000-05	NUT, THIN, 6MM.....	1	
13	05230	89010-259-000	TOOL SET.....	1	F CA77-10001 TO CA77-20100
	05234	89010-271-000	TOOL SET.....	1	F CA77-20101 TO
14	03449	89101-200-000	BAG, TOOL.....	1	
15		89201-222-000	NOT AVAILABLE USE, 89201-259-000.....		
	08938	89201-259-000	WRENCH, TAPPET ADJUSTING.....	1	
16	05239	89202-259-000	WRENCH, AXLE.....	1	
17	05242	99003-10000	DRIVER A, SCREW, 6MM.....	1	
18	05243	99003-20000	DRIVER B, SCREW, 8MM.....	1	
19	05244	99003-30000	DRIVER C, SCREW, 6MM.....	1	
20	05245	99003-40000	LEVER.....	1	
21	05246	99003-50000	GRIP DRIVER.....	1	
22	18165	89216-028-010	WRENCH, SPARK PLUG 12MM.....	1	F CA77-20101 TO
	18778	89216-041-010	WRENCH, SPARK PLUG 10MM..... (SUPERSEDED BY 99004-16170)	1	F CA77-10001 TO CA77-20100
	27672	99004-16170	WRENCH, BOX.....	1	
23	03454	89231-200-000	GAUGE, TAPPET ADJUSTING.....	1	
24	05252	89235-253-000	FILE, POINT.....	1	
25	07988	99002-15000	PLIERS 150MM.....	1	
26	06924	99001-10140	SPANNER, DOUBLE HEAD, 10X14.....	1	
27	07989	99001-17190	SPANNER, DOUBLE HEAD, 17X19.....	1	
28	05419	92000-06012	BOLT, HEX., 6X12MM.....	2	

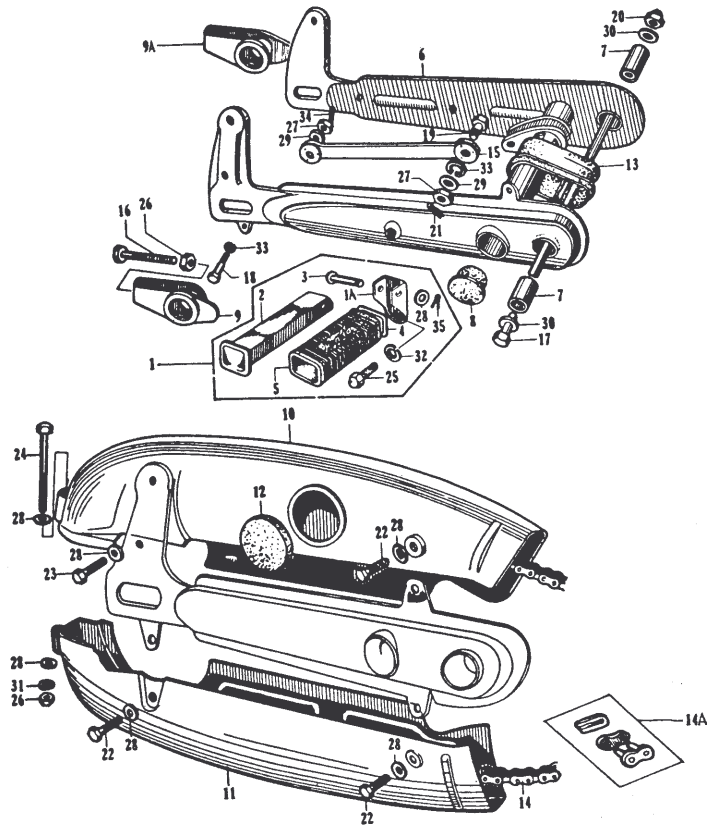
Air Cleaner . Tool Case . Tools



AIR CLEANER . TOOL SET

Ref. No.	H/C	Part Number	Description	CA77	Remarks
29	05717	93500-05016	SCREW, CROSS, 5X16.....	1	
30	05907	94101-06000	WASHER, FLAT, 6MM.....	2	
31		94001-06000	NOT AVAILABLE USE, 94001-06000-0S.....		
	15606	94001-06000-0S	NUT, HEX., 6MM.....	1	
32	05726	93500-05025	SCREW, CROSS, 5X25.....	1	

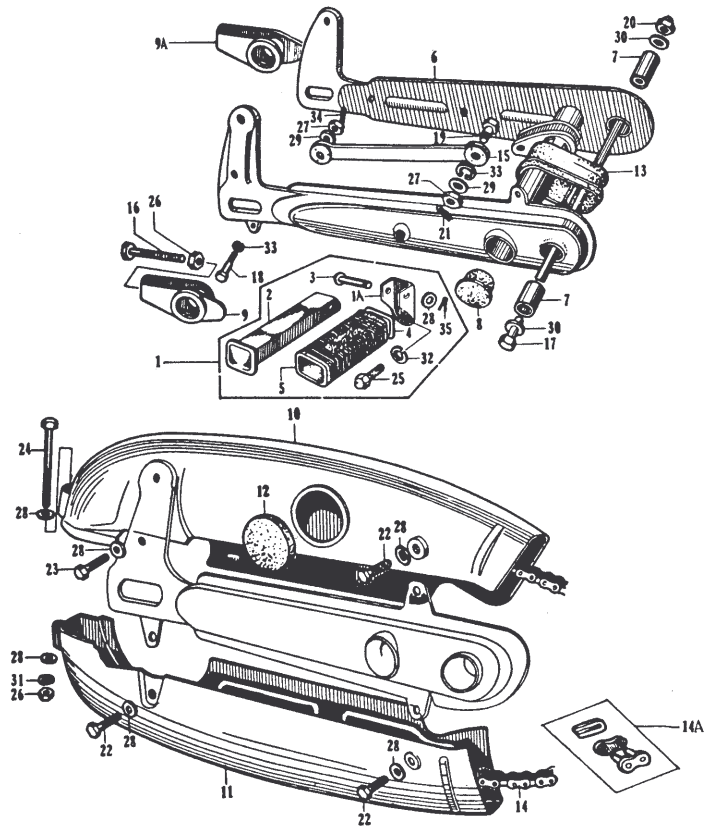
Rear Fork . Chain Case



REAR FORK . CHAIN CASE

Ref. No.	H/C	Part Number	Description	CA77	Remarks
1	04401	50700-257-010	STEP ASSY., PILLION.....	2	F CA77-10001 TO CA77-1028544
	11570	50700-272-000	STEP ASSY., PILLION.....	2	F CA77-1028545 TO
1A	04402	50702-257-010	STAY, PILLION STEP BAR SUPPORT.....	2	F CA77-10001 TO CA77-1028544
2	04403	50706-257-000	BAR, PILLION STEP.....	2	F CA77-1028545 TO
		50715-283-000	NOT AVAILABLE USE, 95015-62000.....		
	25778	95015-62000	BAR, PILLION STEP.....	2	F CA77-1028545 TO
3	04404	50713-257-000	PIN, PILLION STEP.....	2	F CA77-1028545 TO
	01940	50715-024-000	PIN, PILLION STEP..... (SUPERSEDED BY 95015-81000)	2	F CA77-1028545 TO
	33156	95015-81000	PIN, PILLION STEP.....	2	
4	04405	50716-257-000	SEAT, PILLION STEP RUBBER.....	2	F CA77-1028545 TO
5	04406	50718-257-000	RUBBER, PILLION STEP.....	2	F CA77-1028545 TO
		50705-024-000	NOT AVAILABLE USE, 95011-31000.....		
	25568	95011-31000	RUBBER, PILLION STEP.....	2	F CA77-1208545 TO
6	04868	52100-255-020Z	FORK, REAR.....	1	F CA77-10001 TO CA77-1014673
	11891	52100-272-000Z	FORK, REAR.....	1	F CA77-1014674 TO
7	04867	52119-250-000	BUSHING, REAR FORK PIVOT.....	2	
8	04874	52161-253-000	CAP, SIDE, CROSS MEMBER.....	2	
9	04924	40543-253-010	ADJUSTER, RIGHT, DRIVE CHAIN.....	1	F CA77-10001 TO CA77-1014673
	11894	40543-271-000	ADJUSTER, RIGHT, DRIVE CHAIN.....	1	F CA77-1014674 TO
9A	04928	40544-253-010	ADJUSTER, LEFT, DRIVE CHAIN.....	1	F CA77-10001 TO CA77-1014673
	11895	40544-271-000	ADJUSTER, LEFT, DRIVE CHAIN.....	1	F CA77-1014674 TO
10	04931	40510-253-000Z	CASE, UPPER, DRIVE CHAIN.....	1	F CA77-10001 TO CA77-1014673
	11892	40510-271-000Z	CASE, UPPER, DRIVE CHAIN.....	1	F CA77-1014674 TO
11	04935	40520-253-000Z	CASE, LOWER, DRIVE CHAIN.....	1	F CA77-10001 TO CA77-1014673
	11893	40520-271-000Z	CASE, LOWER, DRIVE CHAIN.....	1	F CA77-1014674 TO
12	04937	40545-250-000	CAP, CHAIN CASE PEEP HOLE.....	1	
13	04938	40591-259-000	PACKING, DRIVE CHAIN CASE.....	1	
14	04939	40530-255-000	CHAIN, DRIVE DK525,96L.....	1	
14A	04940	40531-253-000	JOINT, DRIVE CHAIN.....	1	
15	05088	43432-253-000	ARM, REAR BRAKE STOPPER.....	1	
16	05133	90119-253-000	BOLT, CHAIN ADJUST.....	2	
17	05134	90121-250-000	BOLT, REAR FORK PIVOT.....	1	
18	05148	90127-253-000	BOLT, REAR PANEL STOPPER.....	1	
19	05154	90133-253-010	BOLT, REAR BRAKE STOPPER ARM.....	1	
20	05185	90308-250-000	NUT, REAR FORK PIVOT.....	1	
21	05198	90652-253-000	CLIP, LATCH, 10MM.....	1	
22	05415	92000-06008	BOLT, HEX., 6X8.....	1	

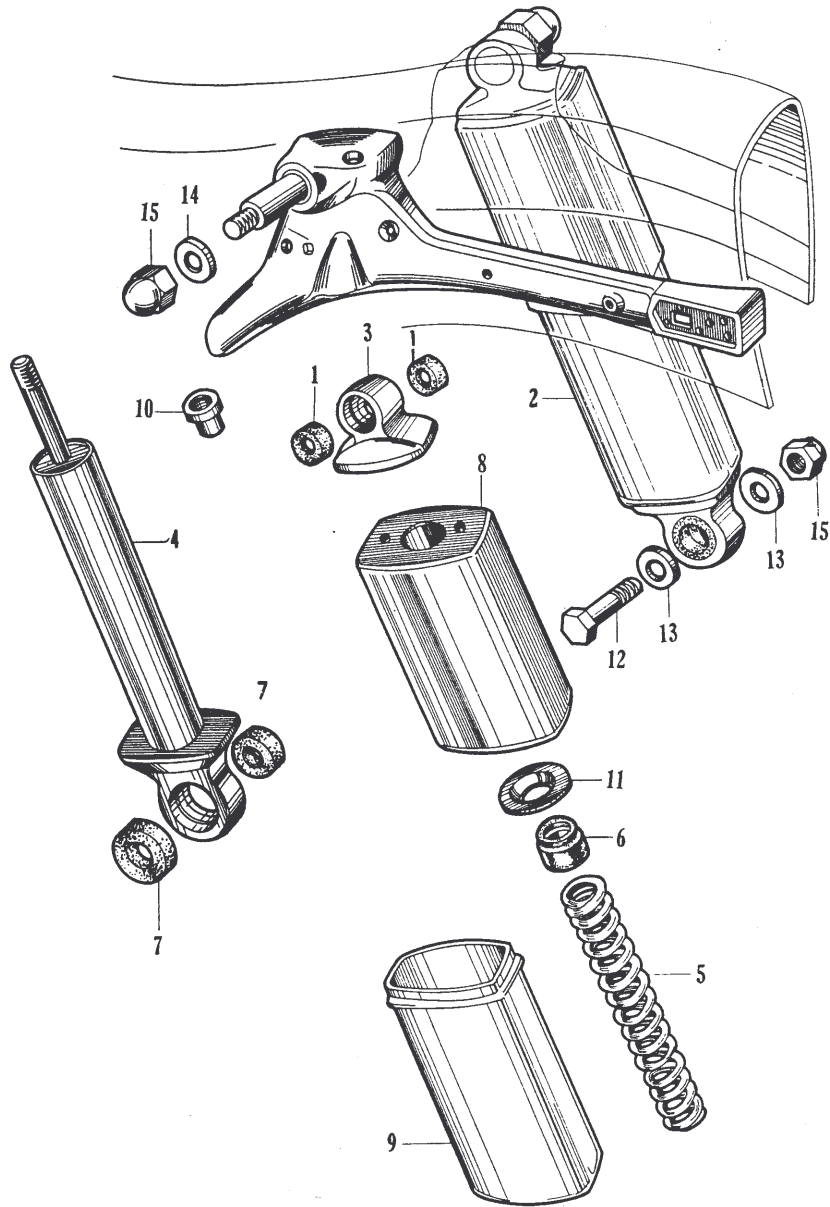
Rear Fork . Chain Case



REAR FORK . CHAIN CASE

Ref. No.	H/C	Part Number	Description	CA77	Remarks
23	05424	92000-06016-02	BOLT, HEX., 6X16.....	1	
24	05444	92000-06045	BOLT, HEX., 6X45.....	1	
25	05391	92500-10020-02	BOLT, BLIND, 10X20.....	2	
26		94001-06000	NOT AVAILABLE USE, 94001-06000-0S.....		
	15606	94001-06000-0S	NUT, HEX., 6MM.....	3	
27		94002-10000	NOT AVAILABLE USE, 94002-10000-0S.....		
	15698	94002-10000-0S	NUT, THIN, 10MM.....	2	
28	05907	94101-06000	WASHER, FLAT, 6MM.....	8	
29	05911	94101-10000	WASHER, FLAT, 10MM.....	2	
30	05913	94101-12000	WASHER, FLAT, 12MM.....	2	
31	05897	94111-06000	WASHER, LOCK, 6MM.....	1	
32	05900	94111-10000	WASHER, LOCK, 10MM.....	2	
33	05902	94111-12000	WASHER, LOCK, 12MM.....	2	
34	05832	94201-16200	PIN, COTTER, 1.6X20..... (SUPERSEDED BY 94201-16250)	1	
	05833	94201-16250	PIN, COTTER, 1.6.....	1	
35	05831	94201-16150	PIN, COTTER, 1.6X15..... (SUPERSEDED BY 94201-16250)	2	

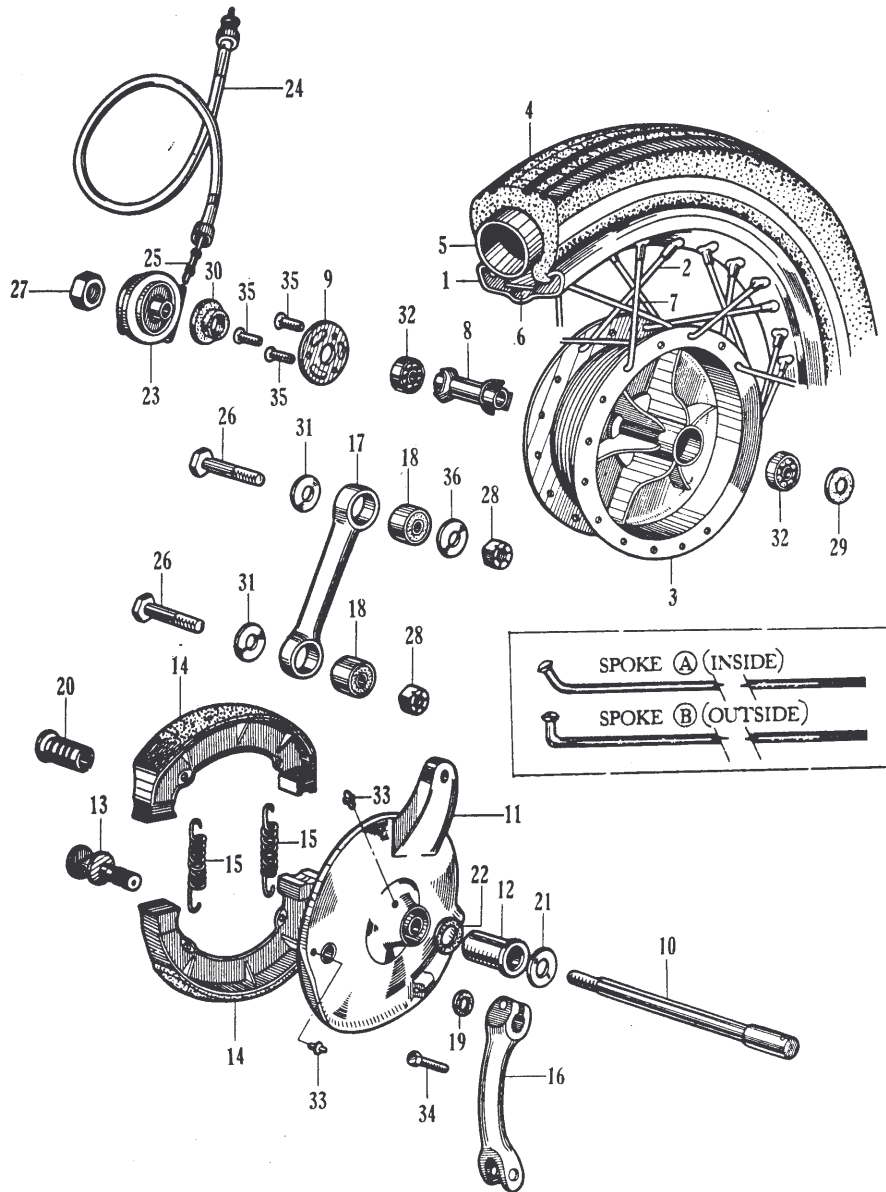
Rear Cushion



Rear Cushion

Ref. No.	H/C	Part Number	Description	CA77	Remarks
1	04642	51632-250-000	BUSHING, RUBBER, FRONT CUSHION.....	4	
2	07998	52400-250-010A	CUSHION ASSY., REAR *WHITE*.....	2	
	04877	52400-250-010B	CUSHION ASSY., REAR *BLACK*.....	2	
	04878	52400-250-010E	CUSHION ASSY., REAR *BLUE*.....	2	
	04879	52400-250-010C	CUSHION ASSY., REAR *RED*.....	2	
3	04880	52403-250-030	METAL, UPPER, REAR CUSHION.....	2	
4	04881	52436-250-030	METAL, BOTTOM, REAR CUSHION.....	2	F CA77-10001 TO CA77-1000200
	07381	52436-250-040	METAL, BOTTOM, REAR CUSHION.....	2	F CA77-1000201 TO
5	04882	52407-250-020	SPRING, REAR CUSHION.....	2	
6	04883	52413-250-010	RUBBER, REAR CUSHION STOPPER.....	2	
7	04884	52442-250-000	BUSHING, RUBBER, REAR CUSHION.....	4	
8		52523-250-060B	NOT AVAILABLE USE, 52523-250-060Z.....		
	04886	52523-250-060E	CASE, UPPER, REAR CUSHION *BLUE*.....	2	
	04887	52523-250-060C	CASE, UPPER, REAR CUSHION *RED*..... (SUPERSEDED BY 52523-250-060Z)	2	
	10287	52523-250-060Z	CASE, UPPER, REAR CUSHION *PRIMER*.....	2	
9	04888	52525-250-040	CASE, BOTTOM, REAR CUSHION.....	2	
10	04889	52421-250-000	NUT, REAR CUSHION UPPER LOCKING.....	2	
11	04890	52408-250-000	SEAT, REAR CUSHION SPRING.....	2	
12	05124	90107-250-000	BOLT, REAR CUSHION UNDER.....	2	
13	05208	90527-250-000	WASHER, 12.5MM.....	4	
14	05209	90528-250-000	WASHER, 14.5MM.....	2	
15	05795	94021-12020	NUT, BLIND, 12MM.....	4	

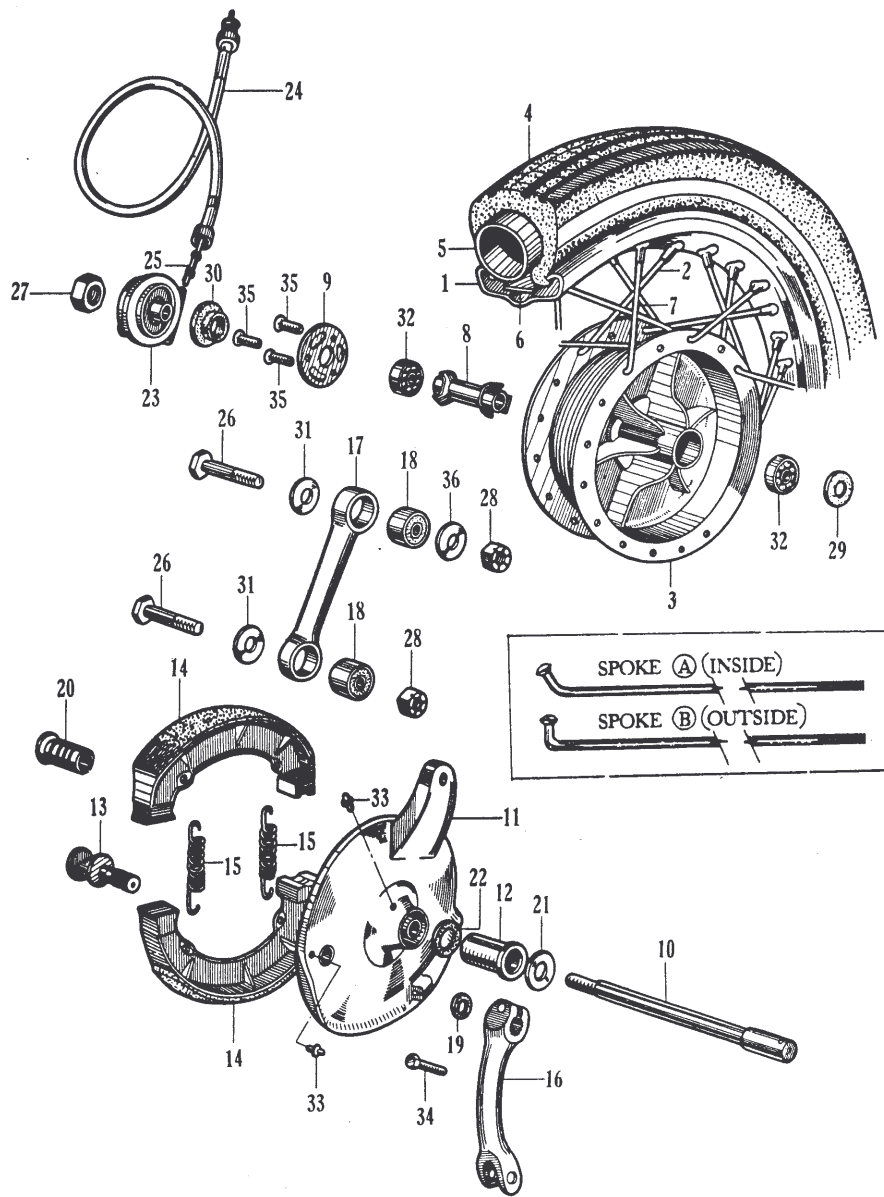
Front Wheel



Front Wheel

Ref. No.	H/C	Part Number	Description	CA77	Remarks
		06450-259-000	DISCONTINUED.....		
1	04775	44701-259-000	RIM, FRONT WHEEL.....	1	
2	04779	97259-411021	SPOKE A, FRONT.....	18	
3	04774	44601-253-010	HUB, FRONT WHEEL.....	1	F CA77-10001 TO CA77-20902 F CA77-310001 TO CA77-312957
	04783	44601-259-000	HUB, FRONT WHEEL.....	1	F CA77-100001 TO CA77-109900 F CA77-312958 TO
4	05283	44711-250-000	TIRE, FRONT WHEEL 325X16 *BLACK WALL*.....	1	
	05285	44711-259-010	TIRE, FRONT WHEEL 325X16 *WHITE WALL*.....	1	
5	05292	44712-250-000	TUBE, WHEEL 325X16.....	1	
6	04773	44713-250-000	FLAP, TIRE.....	1	
7	04789	97875-411001	SPOKE B, FRONT.....	18	
8	04795	44620-253-000	COLLAR, DISTANCE, FRONT AXLE.....	1	
9	04798	44641-253-000	RETAINER, FRONT WHEEL BEARING.....	1	F CA77-10001 TO CA77-20100
	04799	44641-259-000	RETAINER, FRONT WHEEL BEARING.....	1	F CA77-20101 TO
10	04803	44301-253-000	AXLE, FRONT WHEEL.....	1	
11	04807	45100-259-010	PANEL, FRONT BRAKE.....	1	F CA77-10001 TO CA77-20902
	04808	45100-262-000	PANEL, FRONT BRAKE.....	1	F CA77-310001 TO CA77-312957
	04810	45100-262-010	PANEL, FRONT BRAKE.....	1	F CA77-100001 TO CA77-109900 F CA77-312958 TO
12	04806	45101-253-310	SLEEVE, FRONT BRAKE PANEL.....	1	
13	04820	45131-253-000	CAM, FRONT BRAKE.....	1	
14	04824	45120-253-010	SHOE, BRAKE.....	2	
15	04828	45133-253-000	SPRING, BRAKE SHOE.....	2	
16	04835	45410-259-000	ARM, FRONT BRAKE.....	1	
17	04837	45431-250-000	LINK, FRONT BRAKE TORQUE.....	1	
18	03170	45437-254-330	BUSHING, RUBBER, STOPPER ARM.....	2	
19	04839	45134-250-000	DUST SEAL, BRAKE CAM.....	1	
20	04840	45141-253-010	SPACER, FRONT BRAKE PANEL.....	1	
21	04841	45142-250-000	CAP, FRONT BRAKE PANEL DUST.....	1	F CA77-10001 TO CA77-20902
	04842	45142-271-000	CAP, FRONT BRAKE PANEL DUST.....	1	F CA77-100001 TO
22	04843	45143-222-000	RING, FELT, FRONT BRAKE PANEL.....	1	F CA77-10001 TO CA77-20902
	04844	45435-271-000	DUST SEAL, FRONT BRAKE PANEL.....	1	F CA77-100001 TO
23	05056	44800-253-010	BOX, SPEEDOMETER GEAR.....	1	F CA77-10001 TO CA77-20100
	05057	44800-259-000	BOX, SPEEDOMETER GEAR.....	1	F CA77-20101 TO
24	05061	44830-250-000	CABLE, SPEEDOMETER.....	1	
25		44831-250-000	NOT AVAILABLE USE, 44830-250-000.....		
26	05146	90126-250-000	BOLT, FRONT BRAKE TORQUE.....	2	
27	05179	90305-250-000	NUT, FRONT AXLE.....	1	

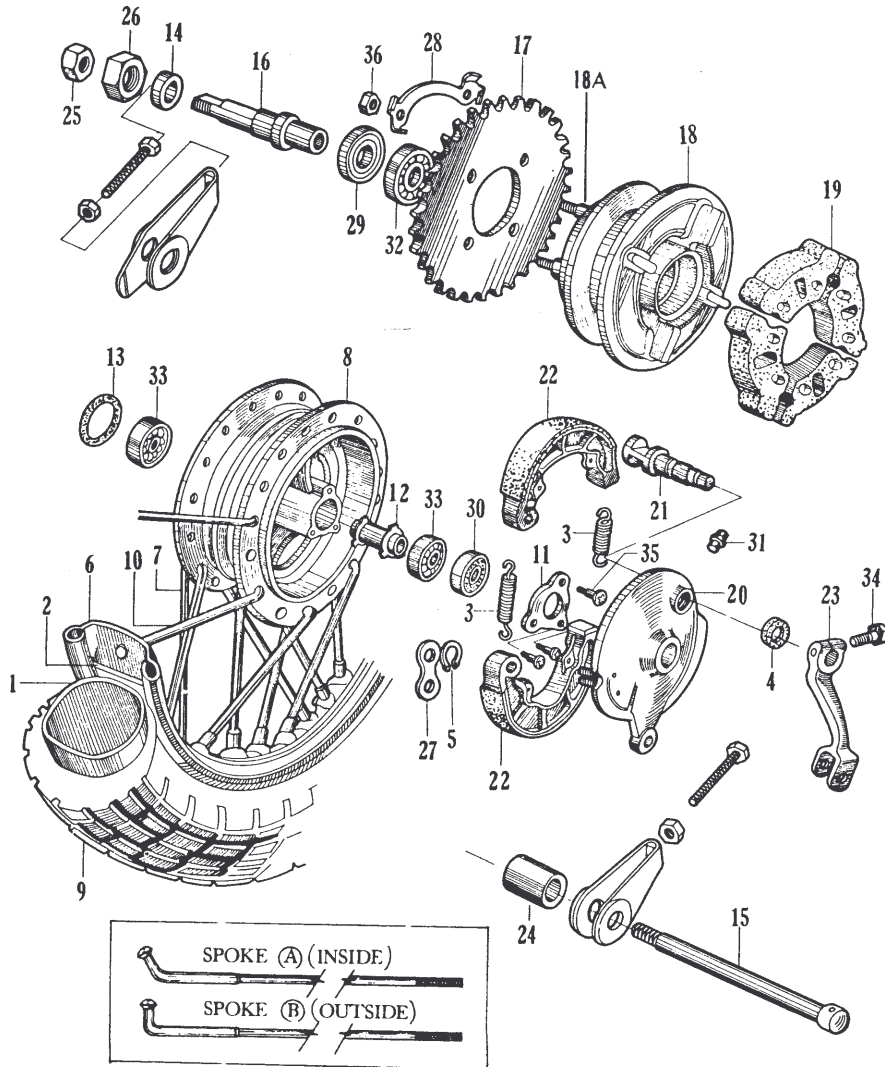
Front Wheel



FRONT WHEEL

Ref. No.	H/C	Part Number	Description	CA77	Remarks
28	05193	90351-250-000	NUT, SELF LOCKING, 10MM.....	2	
29	05221	91251-250-000	OIL SEAL, 50648.....	1	
30	05223	90752-250-000	OIL SEAL, 24358.....	1	F CA77-10001 TO CA77-20100
31	05210	90529-250-000	WASHER, 10.5MM.....	2	
32	08418	96140-63020	BEARING, BALL, 6302R.....	2	
33		96201-30000	NOT AVAILABLE USE, 96201-30001.....		
	25804	96201-30001	NIPPLE, GREASE, 45.....	2	
34	05427	92000-06020	BOLT, HEX., 6X20.....	1	
35	05579	93600-06016	SCREW, CROSS, 6X16.....	3	
36	05911	94101-10000	WASHER, FLAT, 10MM.....	1	

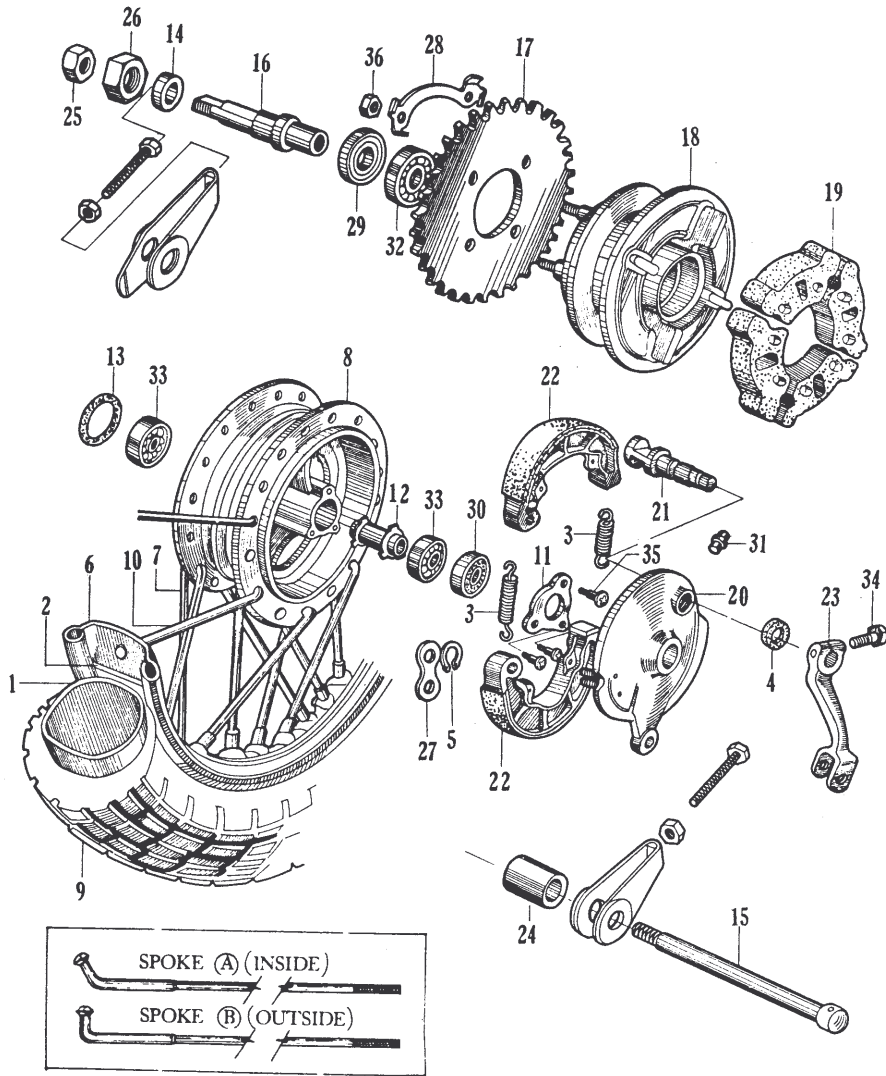
Rear Wheel



REAR WHEEL

Ref. No.	H/C	Part Number	Description	CA77	Remarks
		06430-259-000	DISCONTINUED.....		
1	05292	44712-250-000	TUBE, WHEEL, 325X16.....	1	
2	04773	44713-250-000	FLAP, TIRE.....	1	
3	04828	45133-253-000	SPRING, BRAKE SHOE.....	2	
4	04839	45134-250-000	DUST SEAL, BRAKE CAM.....	1	
5	03174	45135-205-010	SET RING, ANCHOR PIN.....	2	
6	04952	42701-259-000	RIM, REAR WHEEL.....	1	
7	04956	97287-521041	SPOKE A, REAR.....	18	
8	04951	42601-253-020	HUB, REAR WHEEL.....	1	F CA77-10001 TO CA77-20902 F CA77-310001 TO CA77-312957
		42601-259-000	NOT AVAILABLE USE, 42601-259-010.....		
	11559	42601-259-010	HUB, REAR WHEEL.....	1	F CA77-312958 TO CA77-314731 F CA77-100001 TO CA77-109900 F CA77-400001 TO
9	05304	42711-250-000	TIRE, REAR WHEEL, 325X16 *BLACK WALL*.....	1	
	05306	42711-259-010	TIRE, REAR WHEEL, 325X16 *WHITE WALL*.....	1	
10	04966	97924-521011	SPOKE B, REAR.....	18	
11	04972	41231-253-000	RETAINER, REAR WHEEL BEARING.....	1	
12	04974	42620-253-000	COLLAR, DISTANCE, REAR AXLE.....	1	
13	04977	42653-250-000	O RING, 51MM.....	1	
14	04980	42304-253-010	COLLAR, SLEEVE, REAR AXLE.....	1	
15	04984	42301-250-000	AXLE, REAR WHEEL.....	1	
16	04988	42303-250-000	SLEEVE, REAR AXLE.....	1	F CA77-10001 TO CA77-20902 F CA77-310001 TO CA77-314731 F CA77-100001 TO CA77-102452
	08939	42303-250-303	SLEEVE, REAR AXLE.....	1	F CA77-102453 TO CA77-109900 F CA77-400001 TO
17	05047	41201-266-000	SPROCKET, FINAL DRIVEN 29T.....	1	
18	05049	42610-259-000	FLANGE, FINAL DRIVE.....	1	F CA77-10001 TO CA77-12500
18A	05051	42612-259-000	BOLT, DRIVE FLANGE.....	4	
19		41241-253-000	NOT AVAILABLE USE, 41241-259-000.....		
	05053	41241-259-000	DAMPER, REAR WHEEL.....	4	F CA77-10001 TO CA77-20902 F CA77-310001 TO CA77-314731 F CA77-100001 TO CA77-109900 F CA77-400001 TO
20	05068	43100-253-010	PANEL, REAR BRAKE.....	1	F CA77-10001 TO CA77-20902 F CA77-310001 TO CA77-312957
	05069	43100-259-000	PANEL, REAR BRAKE.....	1	F CA77-100001 TO CA77-109900 F CA77-312958 TO
21	05076	43141-253-010	CAM, REAR BRAKE.....	1	
22	05081	43120-253-000	SHOE, REAR BRAKE.....	2	
23	05082	43410-253-000	ARM, REAR BRAKE.....	1	

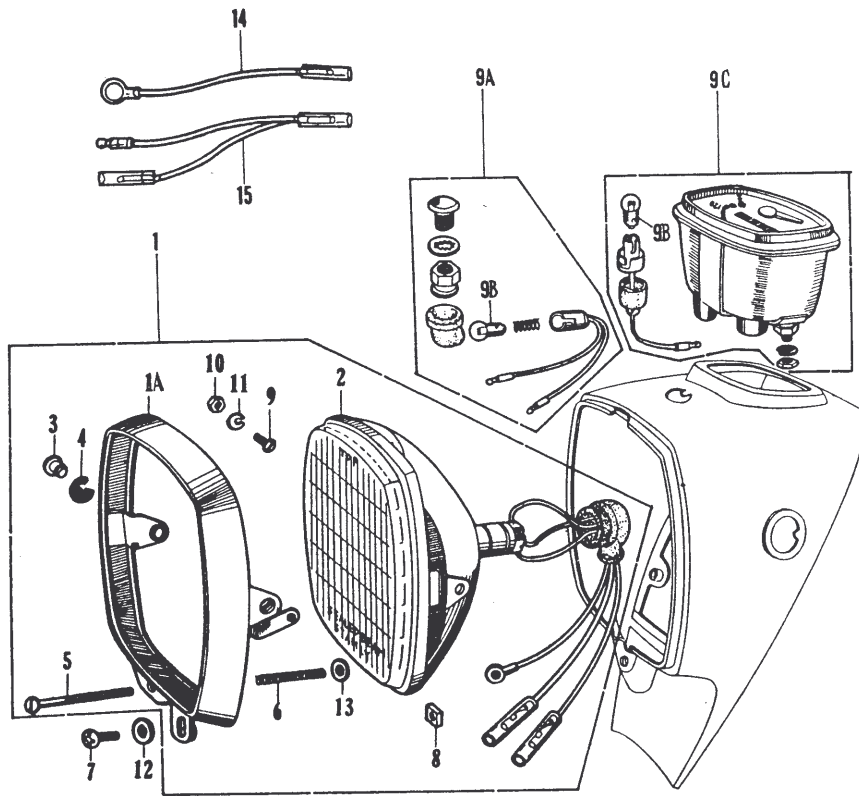
Rear Wheel



Rear Wheel

Ref. No.	H/C	Part Number	Description	CA77	Remarks
24	05096	42313-253-010	COLLAR, SIDE, REAR BRAKE PANEL.....	1	
25	05181	90306-250-000	NUT, REAR AXLE.....	1	
26	05184	90307-250-000	NUT, REAR AXLE SLEEVE.....	1	
27	03418	90514-205-000	WASHER, REAR ANCHOR PIN.....	1	
28	05213	90524-250-000	WASHER, TONGUE, 10MM.....	2	
29	05225	91253-250-000	OIL SEAL, 32528.....	1	
30	05226	91254-253-000	OIL SEAL, 26378.....	1	
31		96201-30000	NOT AVAILABLE USE, 96201-30001.....		
	25804	96201-30001	NIPPLE, GREASE, 45.....	1	
32	05328	91006-300-008	BEARING, BALL, 6205.....	1	
33	05334	96100-63030	BEARING, BALL, 6303.....	2	
34	05427	92000-06020	BOLT, HEX., 6X20.....	1	
35	05576	93600-06012	SCREW, FLAT, 6X12.....	3	
36		94002-10000	NOT AVAILABLE USE, 94002-10000-0S.....		
	15698	94002-10000-0S	NUT, THIN, 10MM.....	4	

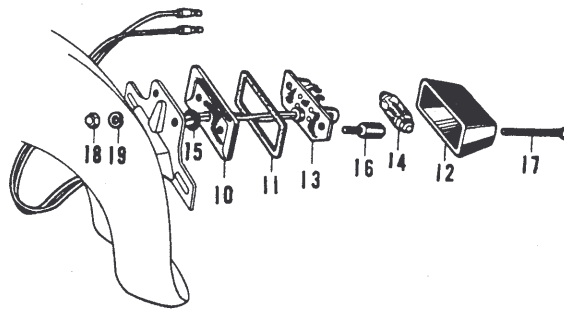
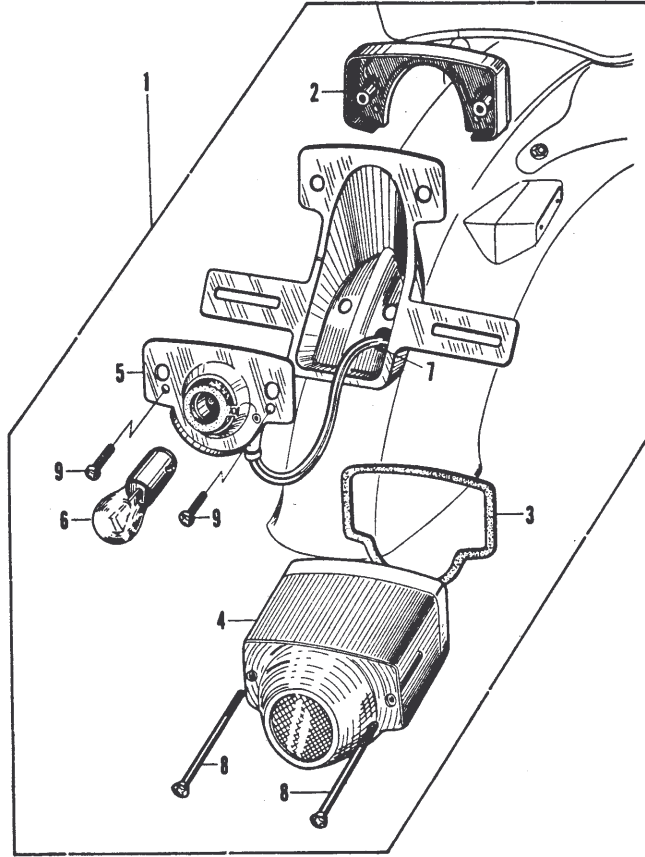
Head Light . Speedometer



HEAD LIGHT . SPEEDOMETER

Ref. No.	H/C	Part Number	Description	CA77	Remarks
1	04457	33100-262-000	LIGHT ASSY., HEAD.....	1	
1A	04459	33101-262-000	RIM, HEADLIGHT.....	1	
2	04462	33120-262-000	LIGHT UNIT, HEADLIGHT SEALED BEAM.....	1	
3	04454	33125-200-020	PIN, SEALED BEAM UNIT HOLDER.....	2	
4	04455	33128-200-023	SET RING, SEALED BEAM HOLDER PIN.....	2	
5	04456	33103-200-020	SCREW, HEADLIGHT ADJUSTING.....	1	
6	02937	33107-200-023	SPRING, SEALED BEAM ADJUSTING.....	1	
7	05743	93500-06012-02	SCREW, CROSS, 6X12.....	1	
8	02938	33117-200-023	NUT, SEALED BEAM ADJUSTING.....	1	
9	02940	33102-200-000	SCREW, 3MM.....	1	
9A	04488	37700-259-000	LAMP ASSY., PILOT.....	1	F CA77-10001 TO CA77-20902
	04489	37700-272-000	LAMP ASSY., PILOT.....	1	F CA77-100001 TO
9B	04490	34902-259-000	BULB, LIGHT.....	2	
9C	04501	37200-272-000	SPEEDOMETER ASSY.....	1	
10	05796	94001-03000	NUT, HEX., 3MM.....	1	
11	05894	94111-03000	WASHER, LOCK, 3MM.....	1	
12	05907	94101-06000	WASHER, FLAT, 6MM.....	1	
13	05904	94101-04000	WASHER, FLAT, 4MM.....	1	
14	04491	35451-262-305	CORD A, SUB BEAM PILOT.....	1	
15	04492	35453-262-305	CORD B, SUB BEAM PILOT.....	1	

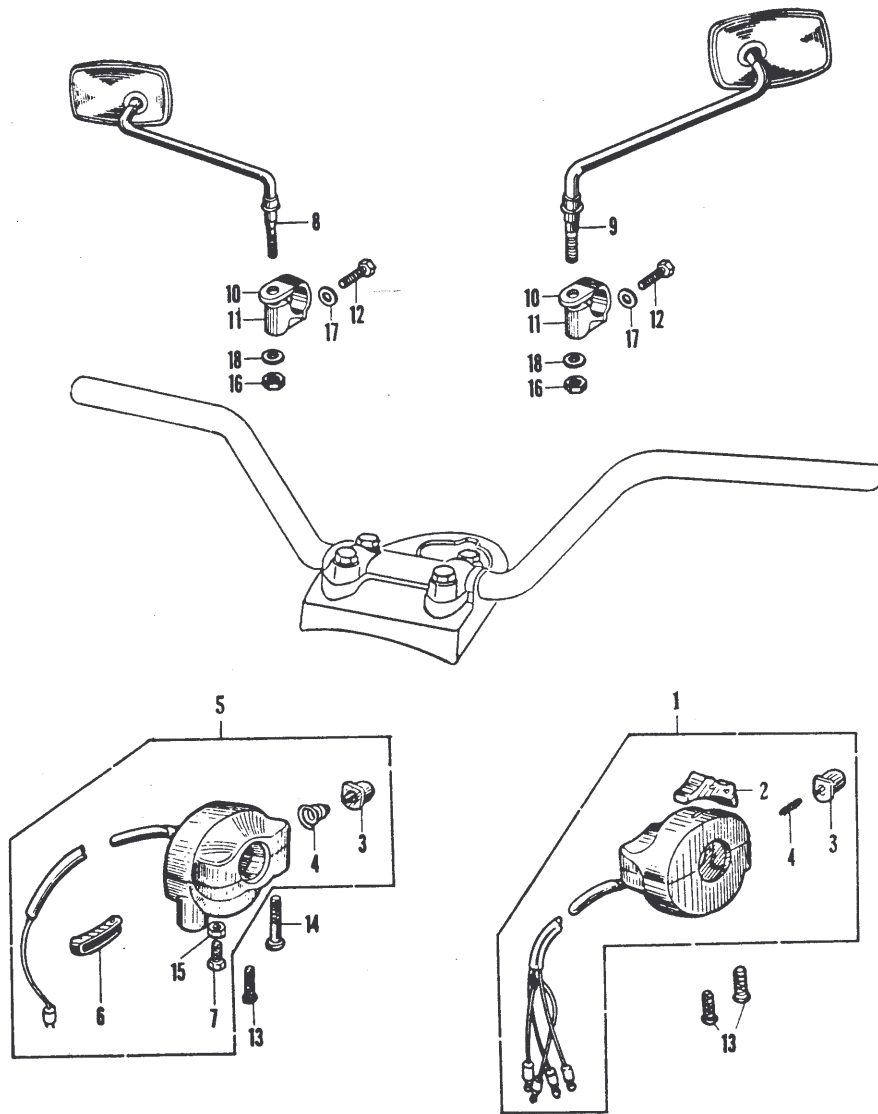
Tail Light



TAIL LIGHT

Ref. No.	H/C	Part Number	Description	CA77	Remarks
1	04470	33700-262-810	LIGHT ASSY., TAIL.....	1	
		33700-271-000	NOT AVAILABLE USE, 33700-262-810.....		
2	04475	33705-268-670	PLATE, TAILLIGHT LENS HOLDER.....	1	
3	04477	33709-268-810	PACKING, TAILLIGHT LENS.....	1	
4	04479	33701-268-680	LENS, TAILLIGHT.....	1	
5	04482	33710-262-820	SOCKET, TAILLIGHT.....	1	
6	04486	34906-268-810	BULB, TAILLIGHT.....	1	
7	04487	33714-268-000	GROMMET, TAILLIGHT.....	1	
8	05607	93700-03060-02	SCREW, CROSS, 3X60.....	2	
9	05690	93500-04010	SCREW, CROSS, 4X10.....	2	
10	04473	33705-262-000	PLATE, TAILLIGHT LENS HOLDER.....	1	
11	04466	33704-255-000	PACKING, TAILLIGHT LENS.....	1	
12	04467	33702-255-000	LENS, TAILLIGHT.....	1	
13	04480	33703-262-000	SOCKET, TAILLIGHT.....	1	
14	04484	34906-259-000	BULB, TAILLIGHT.....	1	
15	04487	33714-268-000	GROMMET, TAILLIGHT CORD.....	1	
16	05161	90148-250-000	SCREW, REAR WINKER BASE.....	2	
17	05604	93700-03030-02	SCREW, CROSS, 3X30.....	2	
18	05785	94021-04020	NUT, BLIND, 4MM.....	2	
19	05895	94111-04000	WASHER, LOCK, 4MM.....	2	

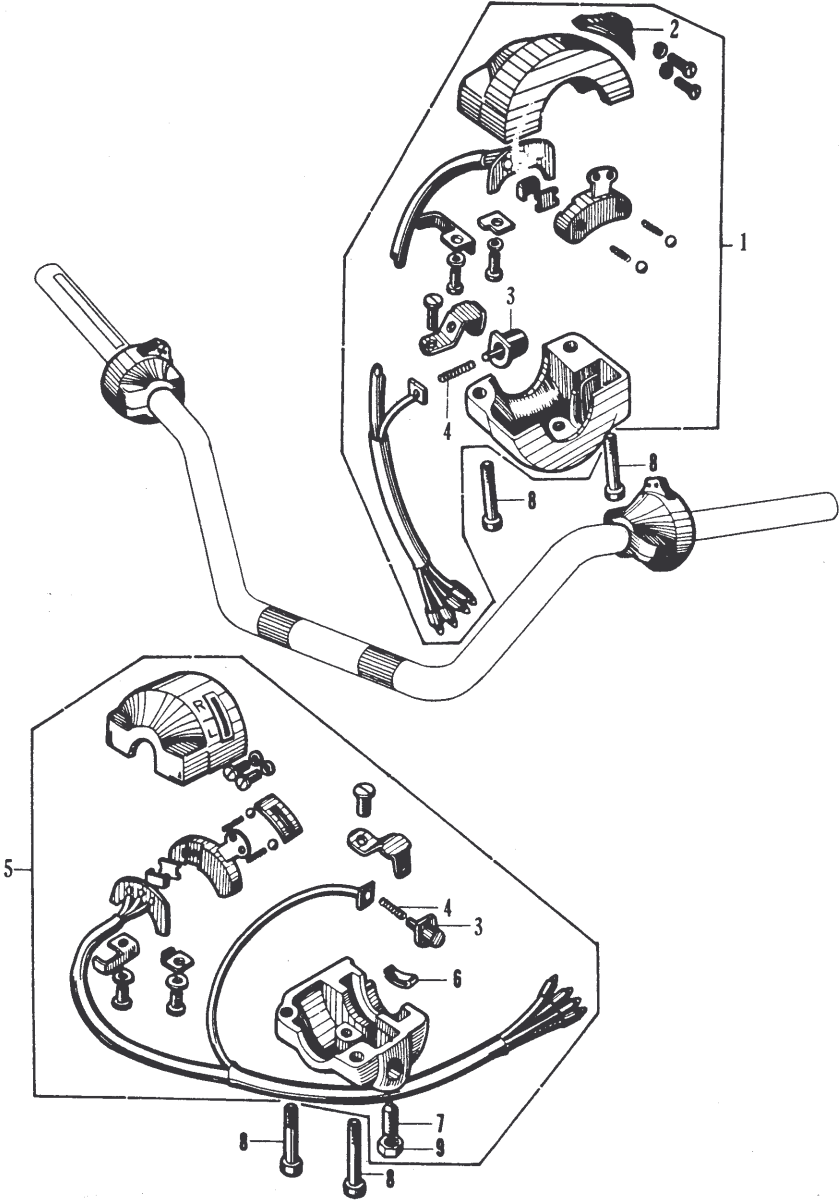
Dimmer Switch . Starter Switch (1)



DIMMER SWITCH . STARTER SWITCH

Ref. No.	H/C	Part Number	Description	CA77	Remarks
1		35300-268-810	NOT AVAILABLE USE, 35300-284-810.....		
	23817	35300-284-810	SWITCH ASSY., DIMMER, W/HORN BUTTON.....	1	F CA77-10001 TO CA77-20902
2	04530	35316-259-300	KNOB, DIMMER SWITCH.....	1	
3	04531	35317-259-300	BUTTON, HORN BUTTON SWITCH PUSH.....	2	
4	04532	35318-259-000	SPRING, HORN BUTTON SWITCH.....	2	
5	05188	35250-281-000	SWITCH ASSY., STARTER.....	1	F CA77-10001 TO CA77-20902
6	03083	53163-205-010	ADJUSTER, THROTTLE GRIP.....	1	F CA77-10001 TO CA77-20902
7	05143	90124-268-000	SCREW, THROTTLE GRIP ADJUSTING.....	1	
8	05258	88110-257-810	MIRROR, BACK, RIGHT.....	1	F CA77-10001 TO CA77-20902
9	05260	88120-257-810	MIRROR, BACK, LEFT.....	1	F CA77-10001 TO CA77-20902
10	05264	88131-257-810	BRACKET, UPPER, BACK MIRROR.....	2	F CA77-10001 TO CA77-20902
11	05265	88132-257-810	BRACKET, LOWER, BACK MIRROR.....	2	F CA77-10001 TO CA77-20902
12	05423	92000-06016	BOLT, HEX., 6X16.....	2	F CA77-10001 TO CA77-20902
13	05718	93500-05016-02	SCREW, CROSS, 5X16.....	3	
14	05727	93500-05025-02	SCREW, CROSS, 5X25.....	1	
15	05799	94001-05000	NUT, HEX., 5MM.....	1	
16		94001-08000	NOT AVAILABLE USE, 94030-08000.....		
	11468	94030-08000	NUT, HEX., 8MM.....	2	
17	05907	94101-06000	WASHER, FLAT, 6MM.....	2	F CA77-10001 TO CA77-20902
18	05909	94101-08000	WASHER, FLAT, 8MM.....	2	

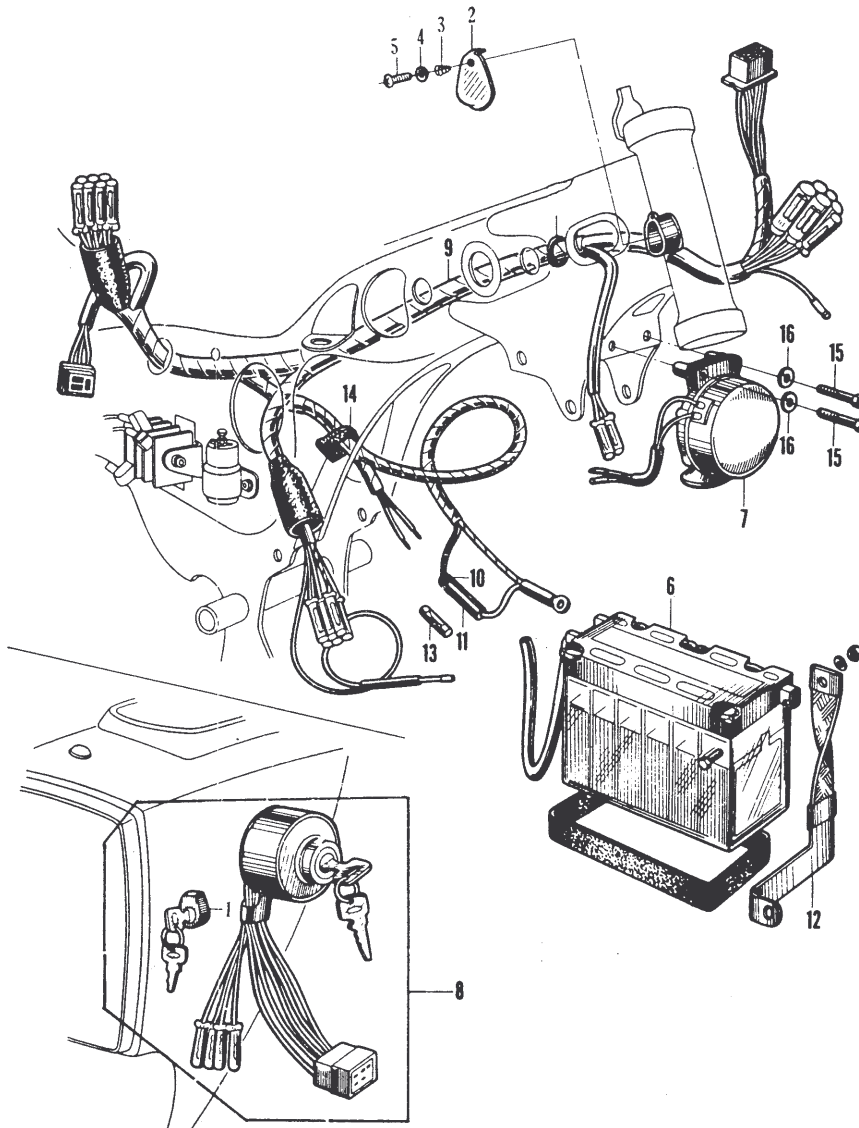
Dimmer Switch . Starter Switch (2)



DIMMER SWITCH . STARTER SWITCH

Ref. No.	H/C	Part Number	Description	CA77	Remarks
1		35300-272-000	NOT AVAILABLE USE, 35300-284-810.....		
	23817	35300-284-810	SWITCH ASSY., DIMMER, W/HORN BUTTON.....	1	F CA77-100001 TO
2	04530	35316-259-300	KNOB, DIMMER SWITCH.....	1	
3	04531	35317-259-300	BUTTON, HORN BUTTON SWITCH PUSH.....	2	
4	04532	35318-259-000	SPRING, PUSH BUTTON.....	2	
5	02983	35800-215-000	SWITCH ASSY., STARTER.....	1	F CA77-100001 TO
6	04719	53163-271-000	ADJUSTER, THROTTLE GRIP.....	1	
7	05143	90124-268-000	SCREW, THROTTLE GRIP ADJUSTING.....	1	
8	05721	93500-05020	SCREW, CROSS, 5X20.....	4	
9	05799	94001-05000	NUT, H&X., 5MM.....	1	

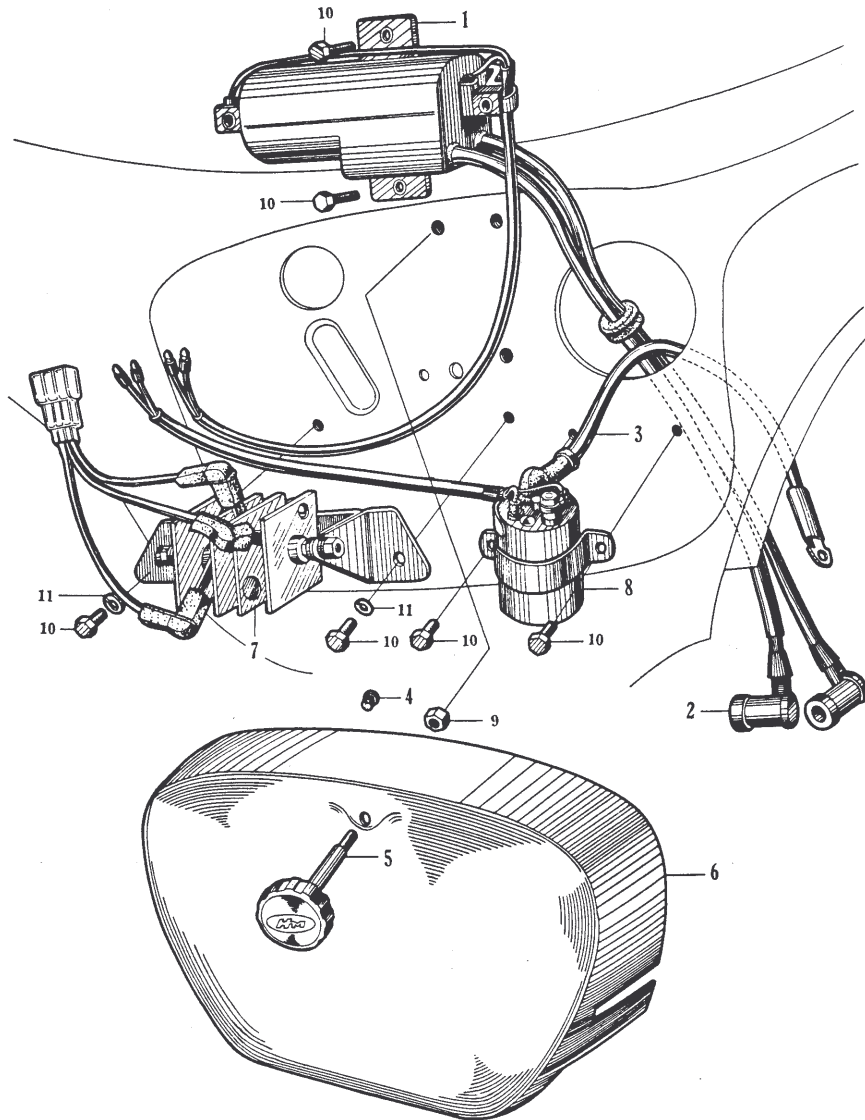
Wire Harness . Battery



WIRE HARNESS . BATTERY

Ref. No.	H/C	Part Number	Description	CA77	Remarks
1		50110-250-300	NOT SOLD . THIS PART IS INCLUDED IN..... IGNITION SWITCH ASSY.		
2	04308	50111-250-300	COVER, HANDLE LOCK.....	1	
3	04309	50112-250-300	SPRING, COVER SETTING.....	1	
4	04310	50113-250-300	CAP, SPRING.....	1	
5	04311	50114-250-310	SCREW, CENTER.....	1	
6	04443	31500-259-000	BATTERY.....	1	F CA77-10001 TO CA77-1010862
	04444	31500-268-010	BATTERY.....	1	F CA77-1010863 TO
7		38100-259-010	NOT AVAILABLE USE, 38100-259-305.....		
	30584	38100-259-305	HORN ASSY.....	1	F CA77-10001 TO CA77-20902
	04513	38100-271-000	HORN.....	1	F CA77-100001 TO
8	02974	35010-202-000	SWITCH, IGNITION, W/HANDLE LOCK.....	1	F CA77-10001 TO CA77-20902
	08477	35010-272-000	SWITCH, IGNITION W/HANDLE LOCK.....	1	F CA77-100001 TO
9	04550	32100-262-305	HARNESS, WIRE.....	1	F CA77-10001 TO CA77-12420
	04551	32100-262-020	HARNESS, WIRE.....	1	F CA77-12421 TO CA77-20902
	04555	32100-272-305	HARNESS, WIRE.....	1	F CA77-100001 TO
10	04548	32106-253-010	CONNECTOR B, FUSE.....	1	
11	04549	32112-253-010	CONNECTOR A, FUSE.....	1	
12	08091	32601-271-000	PLATE, GROUND.....	1	
13		38201-250-000	NOT AVAILABLE USE, 98200-11500.....		
	21628	98200-11500	FUSE, 15AMP.....	1	
14	04566	32983-250-000	GROMMET, WIRE CORD.....	1	
15	05441	92000-06040	BOLT, HEX., 6X40.....	2	
16	05897	94111-06000	WASHER, LOCK, 6MM.....	2	

Distribution Box



DISTRIBUTION BOX

Ref. No.	H/C	Part Number	Description	CA77	Remarks
1	04451	30500-259-000	COIL, IGNITION.....	1	
2	03810	30700-259-600	CAP, NOISE SUPPRESSOR.....	2	
3	03819	30402-259-000	CABLE, STARTER BATTERY.....	1	
4	04344	50391-250-010	RUBBER, TOOL BOX SHOCK PROOF.....	1	
5	04432	83550-259-000	LATCH, TOOL BOX.....	1	F CA77-10001 TO CA77-1010862
	08088	83550-271-000	LATCH, TOOL BOX.....	1	F CA77-1010863 TO
6	04438	83600-259-000Z	BOX, DISTRIBUTION.....	1	F CA77-10001 TO CA77-1003391
	07253	83600-259-010Z	BOX, DISTRIBUTION.....	1	F CA77-1003392 TO
7	04447	31700-259-030	RECTIFIER ASSY., SELENIUM.....	1	
8	04546	35850-259-000	SWITCH, STARTER MAGNETIC.....	1	
9		94002-06000	NOT AVAILABLE USE, 94002-06000-0S.....		
	18103	94002-06000-0S	NUT, THIN, 6MM.....	1	
10	05419	92000-06012	BOLT, HEX., 6X12MM.....	6	
11	05897	94111-06000	WASHER, LOCK, 6MM.....	2	

GASKET SET

Ref. No.	H/C	Part Number	Description	CA77	Remarks
1		06110-266-000	NOT AVAILABLE USE, 06110-275-020.....		
		23581 06110-275-020	GASKET SET A.....	1	E CA77E-110001 TO CA77E-210847
		03574 12191-259-000	PACKING, CYLINDER.....	1	
		03578 12251-275-000	GASKET, CYLINDER HEAD.....	1	
		03579 12391-259-000	PACKING, CYLINDER HEAD COVER.....	1	
		03580 12391-258-000	PACKING, CYLINDER HEAD SIDE COVER.....	2	
		03589 91301-253-000	O RING, 28.5.....	1	
		03590 91303-259-000	O RING, 11X2.0.....	2	
		03591 91302-250-010	O RING, 47MM.....	4	
		03713 14591-258-000	PACKING, CAM CHAIN TENSIONER.....	1	
2		06110-266-010	NOT AVAILABLE USE, 06110-275-020.....		
		23581 06110-275-020	GASKET, SET A.....	1	E CA77E-100001 TO CA77E-109000 E CA77E-210848 TO
		03575 12191-259-010	PACKING, CYLINDER.....	1	
		03578 12251-275-000	GASKET, CYLINDER HEAD.....	1	
		03579 12391-259-000	PACKING, CYLINDER HEAD COVER.....	1	
		03580 12391-258-000	PACKING, CYLINDER HEAD SIDE COVER.....	2	
		03589 91301-253-000	O RING, 28.5.....	1	
		03590 91303-259-000	O RING, 11X2.0.....	2	
		03591 91302-250-010	O RING, 47MM.....	4	
		03713 14591-258-000	PACKING, CAM CHAIN TENSIONER.....	1	
3		03477 06111-259-000	GASKET SET B.....	1	
		03526 11395-259-000	PACKING, L CRANKCASE COVER.....	1	
		03528 91301-250-000	O RING, 22MM.....	1	
		03529 90407-259-000	PACKING, DRAIN COCK..... (SUPERSEDED BY 90407-231-000)	1	
		21834 90407-231-000	PACKING, DRAIN COCK.....	1	
		09956 91301-259-000	O RING, 57X3.....	2	
		03745 15191-259-000	PACKING A, OIL PUMP.....	1	
		03759 91304-259-010	O RING, 48.6X1.6.....	1	
		03868 91305-259-000	O RING, 12.8X2.2.....	1	

INDEX

H/C	Part Number	Page	H/C	Part Number	Page	H/C	Part Number	Page	H/C	Part Number	Page
	06110-266-000	103	03563	12341-259-010	3	03692	14121-259-020	11	03747	15193-259-000	31
	06110-266-010	103	03564	12341-259-020	3	13440	14121-259-040	11	03735	15194-250-000	31
23581	06110-275-020	103	03567	12361-259-000	3	03690	14320-259-040	11	03752	15196-259-000	31
03477	06111-259-000	103	03580	12391-258-000	3	08936	14329-259-310	11	03753	15198-259-020	31
	06430-259-000	87	39, 103			03703	14401-259-003	11	03738	15199-250-000	31
	06450-259-000	83	03579	12391-259-000	3	03704	14411-259-000	11		15420-259-020	31
08569	11100-259-315	15	103			35			03750	15420-259-030	31
08570	11100-259-325	15	03606	13000-266-000	7	03719	14431-268-305	11	03754	15440-259-030	31
	11100-266-010	15	03607	13000-266-010	7	03721	14451-259-010	11	03755	15451-259-020	31
	11100-266-030	15	13093	13000-266-020	7	03722	14461-259-010	11	03756	15471-259-000	31
03488	11100-266-050	15	03668	13010-266-000	7	03709	14500-259-000	11	03762	15478-259-000	31
03494	11200-259-030	15	03678	13012-275-000	7	11898	14500-259-010	11	03757	15481-259-010	19
03495	11200-259-060	15	03669	13020-266-000	7	03711	14541-258-010	11	03758	15481-259-020	19
03497	11330-259-020	27	03679	13022-275-000	7	11900	14541-259-000	11	03764	15493-259-000	31
07246	11330-259-040	27	03670	13030-266-000	7	03712	14551-259-000	11	03760	15494-259-010	31
03502	11340-259-020	19	03680	13032-275-000	7	11901	14551-259-010	11	03761	15494-259-020	31
03503	11340-259-030	19	03671	13040-266-000	7	03713	14591-258-000	11	03763	15495-259-000	31
03526	11395-259-000	19,	03681	13042-275-000	7	103			03514	15650-259-000	15
103			03672	13050-266-000	7	11902	14591-259-000	11	03513	15721-259-000	15
03506	11631-259-000	27	03682	13052-275-000	7	03705	14611-250-310	15	03516	15725-259-000	15
03508	11641-253-000	35		13101-266-010	7	14140	14612-250-300	15	03515	15730-259-000	15
03504	11661-259-000	27	03633	13101-266-020	7	03706	14615-250-300	15	03584	15755-259-000	3
03517	11751-259-000	31		13102-266-010	7	03707	14616-250-300	15	03583	15759-259-000	3
03540	11925-259-000	27	03634	13102-266-020	7	03723	14711-259-010	11	03520	15761-259-000	3
03548	12021-259-000	11		13103-266-010	7	03726	14721-259-000	11	03521	15761-259-010	3
03550	12023-259-000	11	03635	13103-266-020	7	11608	14721-268-000	11	03523	15766-259-000	3
03543	12100-267-000	3		13104-266-010	7	03728	14751-259-010	11	03519	15772-259-000	3
03544	12100-267-010	3	03636	13104-266-020	7	03730	14761-259-010	11	04053	16100-266-030	41
11897	12100-267-020	3		13105-266-010	7	03732	14771-259-000	11		16122-259-004	41
03574	12191-259-000	3,	03637	13105-266-020	7	03733	14775-259-000	13	08084	16122-259-014	41
103			03645	13111-251-000	7	03734	14781-253-010	13	04060	16122-268-004	41
03575	12191-259-010	3,	03646	13112-251-305	7	03740	15100-273-000	31	04061	16125-259-004	41
103			03647	13115-250-010	7	03742	15110-273-000	31		16126-259-004	41
11940	12200-266-020	3		13411-268-010	7	03743	15121-259-000	31		16127-259-004	41
03545	12211-250-310	11	13572	13411-268-020	7	03736	15131-250-000	31	04133	16129-268-004	41
03578	12251-275-000	3,	03612	13481-268-010	7	10025	15131-259-000	31	04111	16133-259-004	41
103			03538	13491-259-000	15	03737	15141-250-000	31	04114	16139-259-004	41
03553	12300-259-000	3	13078	13611-259-020	7	10026	15141-259-000	31	04122	16141-266-004	41
03554	12300-259-030	3	03684	13621-259-010	7	03744	15180-268-323	31	04128	16151-266-004	41
	12331-259-030	39	03685	13692-259-000	7	03745	15191-259-000	31,	13678	16157-259-004	41
03559	12331-259-040	39	03686	14111-259-020	11	103			07349	16162-259-004	41
03561	12331-268-020	39	03687	14111-259-030	11	03746	15192-259-000	31,	07352	16163-259-004	41
	12331-268-030	39	13437	14111-259-050	11	103			04131	16171-259-004	41

INDEX

<u>H/C</u>	<u>Part Number</u>	<u>Page</u>	<u>H/C</u>	<u>Part Number</u>	<u>Page</u>	<u>H/C</u>	<u>Part Number</u>	<u>Page</u>	<u>H/C</u>	<u>Part Number</u>	<u>Page</u>
04056	16172-253-004	41	04253	17640-266-000	57	03857	22411-266-000	21	03934	24301-268-000	25
04135	16173-259-004	41	04251	17640-271-000	57	03862	22431-259-000	19	03936	24430-268-000	25
04138	16175-260-004	41	04257	17650-266-000	57	03863	22810-266-000	27	03937	24435-250-000	25
07924	16181-202-004	41	04255	17650-271-000	57	03869	22815-259-000	27	03939	24438-259-000	25
08366	16182-011-004	41	04237	17661-266-000	57	03870	22815-259-010	27	03935	24440-268-000	25
03585	16211-259-000	3	04234	17661-271-000	57	03865	22838-259-020	19	03938	24455-268-000	25
03586	16211-259-020	3	04242	17662-266-000	57	03864	22841-266-000	27	03940	24610-259-020	25
03593	16231-259-000	3	04239	17662-271-000	57		22844-200-000	27	03941	24610-259-030	25
03597	16235-259-000	41	04247	17691-259-010	57	29221	22844-323-000	27	03942	24630-268-000	25
03581	16241-253-000	3	04243	17791-250-000	57	03866	22850-259-010	23	03943	24641-250-010	25
03582	16242-259-000	3	22849	17910-257-010	43	03873	22870-262-000	43	03944	24642-250-000	25
26881	16950-257-000	57		17910-262-000	43	10052	22870-271-000	45	03945	24651-250-000	25
	16950-259-010	57	04147	17910-271-000	45	07252	22870-272-010	45	03946	24652-259-000	25
04218	16951-259-010	57	04152	17911-271-000	45	03882	22875-259-000	27	03947	24701-262-010	25
04214	16952-257-000	57	04246	17993-250-000	57	03883	22875-259-020	27		24781-205-000	25
04207	16953-250-010	57	04266	18210-259-000	71	08963	23120-268-000	23	03872	25571-259-010	19
04208	16954-250-000	57	04271	18220-259-000	71		23121-266-000	23	03867	25572-259-000	19
04210	16956-250-010	57	04276	18231-259-000	71	03927	23170-259-000	15	03881	25573-259-000	19
04211	16957-250-010	57	11866	18231-268-000	71	03929	23181-259-000	15	03990	28101-253-000	35
04212	16958-250-010	57	04279	18233-259-000	71	03887	23211-259-010	23	03991	28110-259-010	35
04213	16959-250-000	57	04280	18233-273-000	71	03889	23221-255-000	23	03992	28116-259-000	37
04209	16995-250-020	57	04278	18291-254-000	71	03891	23420-253-000	23	03993	28116-259-010	35
11934	17211-271-000	73		18300-272-000	71	11647	23420-253-020	23	03986	28121-259-000	35
11933	17212-271-303	73	04295	18311-259-010	71	03895	23430-262-000	23	03987	28125-253-020	35
04169	17241-259-000	73	04297	18330-259-010	71		23441-250-010	23	03988	28126-253-030	35
04182	17245-250-000	73	04298	18330-259-030	71	13446	23441-250-020	23	03989	28128-253-030	35
04172	17253-259-000	73	04303	18391-254-010	71	13448	23451-250-020	23	03974	28228-250-010	23
04178	17255-259-000	73	04304	18391-259-000	71	03903	23461-262-000	23	03964	28241-259-000	27
04181	17256-259-000	73	03836	22100-259-000	19	03907	23470-264-010	23	03983	28248-259-010	27
04185	17260-259-020	61	07376	22100-259-010	19	13451	23801-266-010	23	14141	28250-259-000	23
04186	17361-259-030	61		22121-266-000	19	03921	23811-253-000	23		28251-259-000	23
04187	17362-259-000	61		22121-266-020	19	13452	23811-259-010	23	03973	28255-250-020	23
04189	17364-259-300	61	13444	22121-266-030	19	03930	23912-259-000	15	03975	28256-250-000	23
04188	17494-259-000	61	13445	22121-268-040	19	03524	23931-259-010	23	03525	28258-259-010	23
04203	17500-266-010Z	57	03839	22201-266-000	19	03924	23933-253-000	23	03976	28281-250-000	27
04198	17500-271-000Z	57	08490	22201-268-020	19	11649	23933-259-010	23	03978	28292-250-010	27
04258	17611-259-000	57	03861	22211-266-000	21	03917	23941-250-010	23	03979	28293-250-000	27
04261	17613-259-000	57	03840	22311-259-010	19	11642	23941-259-305	23	03969	28300-259-000	27
04264	17614-259-000	57	03841	22311-266-000	19	03928	23942-259-000	15		28311-250-000	27
04205	17620-259-000	57	08491	22311-268-000	19	11643	23943-259-305	23	03977	28321-250-000	27
04228	17625-250-000	41	03843	22321-266-000	19	03931	24211-268-000	25	03980	28333-250-000	27
57			03849	22350-259-000	19	03932	24261-253-010	25	03787	30200-259-044	39
04245	17631-259-000	57	03853	22401-266-000	19	03933	24262-253-000	25	03792	30201-259-003	39

INDEX

<u>H/C</u>	<u>Part Number</u>	<u>Page</u>	<u>H/C</u>	<u>Part Number</u>	<u>Page</u>	<u>H/C</u>	<u>Part Number</u>	<u>Page</u>	<u>H/C</u>	<u>Part Number</u>	<u>Page</u>
03793	30201-259-004	39	04551	32100-262-020	99	04531	35317-259-300	95,	05096	42313-253-010	89
03805	30202-259-003	39	04555	32100-272-305	99	97			04951	42601-253-020	87
03804	30202-259-004	39	04548	32106-253-010	99	04532	35318-259-000	95,		42601-259-000	87
03795	30250-259-014	39	04549	32112-253-010	99	97			11559	42601-259-010	87
	30250-259-024	39	03817	32401-259-000	35	04534	35350-259-000	67	05049	42610-259-000	87
03799	30250-259-044	39	08091	32601-271-000	99	11858	35350-271-000	67	05051	42612-259-000	87
03696	30310-259-030	11,	03811	32907-259-000	3	04538	35351-259-000	67	04974	42620-253-000	87
39			03813	32908-259-000	3	04542	35355-259-000	67	04977	42653-250-000	87
07249	30310-259-040	11	03539	32911-253-000	35	04541	35356-259-000	67	04952	42701-259-000	87
	30371-259-010	39	03821	32951-250-000	15	04533	35357-253-000	67	05304	42711-250-000	87
	30371-259-020	39	04566	32983-250-000	99	11859	35357-271-000	67	05306	42711-259-010	87
03570	30371-268-010	39	04156	32989-258-000	61	04491	35451-262-305	91	05068	43100-253-010	87
03571	30371-268-020	39	04457	33100-262-000	91	04492	35453-262-305	91	05069	43100-259-000	87
03572	30391-259-010	39	04459	33101-262-000	91	03816	35750-268-000	25	05081	43120-253-000	87
03573	30391-259-020	39	02940	33102-200-000	91	02983	35800-215-000	97	05076	43141-253-010	87
03819	30402-259-000	101	04456	33103-200-020	91	04546	35850-259-000	101	05082	43410-253-000	87
04451	30500-259-000	101	02937	33107-200-023	91	04501	37200-272-000	91	05088	43432-253-000	77
03810	30700-259-600	101	02938	33117-200-023	91	04488	37700-259-000	91	05087	43440-259-010	67
03765	31100-259-000	35	04462	33120-262-000	91	04489	37700-272-000	91	11860	43440-271-000	67
03766	31100-262-000	35	04454	33125-200-020	91		38100-259-010	99	05106	43450-259-000	67
08937	31101-259-003	35	04455	33128-200-023	91	30584	38100-259-305	99	05107	43450-259-010	67
03769	31101-259-004	35	04470	33700-262-810	93	04513	38100-271-000	99		43453-250-000	43,
07321	31101-262-003	35		33700-271-000	93		38201-250-000	99	45,	67	
06937	31101-262-004	35	04479	33701-268-680	93	04931	40510-253-000Z	77	05109	43471-259-000	67
08113	31102-259-003	35	04467	33702-255-000	93	11892	40510-271-000Z	77	05100	43472-259-000	67
03774	31102-259-004	35	04480	33703-262-000	93	04935	40520-253-000Z	77		43486-250-000	43,
	31200-259-000	35	04466	33704-255-000	93	11893	40520-271-000Z	77	45,	67	
28725	31200-259-305	35	04473	33705-262-000	93	04939	40530-255-000	77	04803	44301-253-000	83
03823	31201-253-003	35	04475	33705-268-670	93	04940	40531-253-000	77	04774	44601-253-010	83
03822	31201-253-014	35	04477	33709-268-810	93	04924	40543-253-010	77	04783	44601-259-000	83
03824	31202-253-003	35	04482	33710-262-820	93	11894	40543-271-000	77	04795	44620-253-000	83
03825	31202-253-004	35	04487	33714-268-000	93	04928	40544-253-010	77	04798	44641-253-000	83
03826	31203-253-003	35	04490	34902-259-000	91	11895	40544-271-000	77	04799	44641-259-000	83
03827	31203-253-004	35	04484	34906-259-000	93	04937	40545-250-000	77	04775	44701-259-000	83
03829	31204-253-003	35	04486	34906-268-810	93	04938	40591-259-000	77	05283	44711-250-000	83
03828	31204-253-014	35	02974	35010-202-000	99	05047	41201-266-000	87	05285	44711-259-010	83
03832	31207-253-003	35	08477	35010-272-000	99	04972	41231-253-000	87	05292	44712-250-000	83,
03831	31207-253-014	35	05188	35250-281-000	95		41241-253-000	87	87		
03834	31281-253-000	35		35300-268-810	95	05053	41241-259-000	87	04773	44713-250-000	83,
04443	31500-259-000	99		35300-272-000	97	04984	42301-250-000	87	87		
04444	31500-268-010	99	23817	35300-284-810	95,	04988	42303-250-000	87	05056	44800-253-010	83
04447	31700-259-030	101	97			08939	42303-250-303	87	05057	44800-259-000	83
04550	32100-262-305	99	04530	35316-259-300	95,	04980	42304-253-010	87	05061	44830-250-000	83

INDEX

<u>H/C</u>	<u>Part Number</u>	<u>Page</u>	<u>H/C</u>	<u>Part Number</u>	<u>Page</u>	<u>H/C</u>	<u>Part Number</u>	<u>Page</u>	<u>H/C</u>	<u>Part Number</u>	<u>Page</u>
	44831-250-000	83	04336	50303-250-050	63	04645	51400-259-000	49	04605	53215-250-000	53
05067	44852-253-000	53	04337	50303-271-000	63	04646	51400-259-010	49	04601	53220-250-010	53
04807	45100-259-010	83	04338	50306-250-050	63	04643	51409-250-010	49	04727	53230-257-000Z	53
04808	45100-262-000	83	04339	50306-271-000	63	04639	51410-250-000	49	04732	53231-271-000Z	53
04810	45100-262-010	83	04340	50307-272-010	63	08011	51410-250-010	49	04745	53740-257-000	53
04806	45101-253-310	83	04341	50308-272-010	63	04653	51420-259-000	49	04763	53751-250-000	53
04824	45120-253-010	83	04351	50311-259-000	61	08554	51420-259-010	49	04748	53761-250-030	53
04820	45131-253-000	83	04352	50314-259-000	61	04656	51457-259-000	49	04752	53762-250-020	53
04828	45133-253-000	83	04349	50317-254-600	61	04657	51457-259-010	49	04755	53763-258-000	53
87			04344	50391-250-010	73	04640	51510-250-000	49	04760	53765-257-000	53
04839	45134-250-000	83	101			04641	51519-250-010	49	04762	53767-258-000	53
87			11639	50500-272-000B	67	04644	51538-250-000	49	04768	53768-250-000	53
03174	45135-205-010	87	04362	50522-250-000	67	08556	51538-250-010	49		53100-257-020	43
04840	45141-253-010	83	04364	50523-259-000	67	04642	51632-250-000	49		53100-272-000	45
04841	45142-250-000	83	04366	50524-259-000	67	81			11609	53100-272-335	45
04842	45142-271-000	83	04369	50525-259-000	67	04868	52100-255-020Z	77	04706	53100-281-000	43
04843	45143-222-000	83	04370	50530-259-000	67	11891	52100-272-000Z	77	11644	53126-212-810	45
04835	45410-259-000	83	04374	50542-259-000	67	04867	52119-250-000	77	04733	53131-257-000	43
04837	45431-250-000	83	04377	50543-259-000	71	04874	52161-253-000	77	04736	53131-271-000	45
04856	45435-250-000	43	04398	50610-259-010B	67	07998	52400-250-010A	81	08898	53131-271-010	45
45			04379	50630-259-010B	67	04877	52400-250-010B	81	04737	53132-262-000	43
04844	45435-271-000	83	04385	50640-259-010B	67	04878	52400-250-010E	81	04738	53132-271-000	45
03170	45437-254-330	83	04391	50661-259-000	67	04880	52403-250-030	81	03086	53141-205-000	43
04845	45450-262-000	43	04401	50700-257-010	77	04882	52407-250-020	81	04722	53141-271-000	45
	45450-271-000	45	11570	50700-272-000	77	04890	52408-250-000	81	04723	53161-250-000	45
04846	45454-272-000	45	04402	50702-257-010	77	04883	52413-250-010	81	11601	53162-042-000	45
11638	46500-272-000	67		50705-024-000	77	04889	52421-250-000	81	04724	53162-271-000	45
04417	46514-259-000	67	04403	50706-257-000	77	04881	52436-250-030	81	03084	53165-205-000	43
04418	46514-259-010	67	04404	50713-257-000	77	07381	52436-250-040	81	04720	53165-271-000	43
02844	50090-259-300	63	01940	50715-024-000	77	04884	52442-250-000	81	45		
04312	50100-262-000Z	61		50715-283-000	77		52523-250-060B	81	03085	53166-205-000	43
04313	50100-262-010Z	61	04405	50716-257-000	77	04887	52523-250-060C	81	04721	53166-271-000	45
04314	50100-271-000Z	61	04406	50718-257-000	77	04886	52523-250-060E	81	18276	53170-216-670	43
04307	50101-250-320	61	04606	51100-271-000Z	53	10287	52523-250-060Z	81	45		
	50110-250-300	99	04613	51210-253-000	49	04888	52525-250-040	81	04715	53171-268-010	43
04308	50111-250-300	99	04614	51214-253-300	49	04769	52769-250-010	53	45		
04309	50112-250-300	99	04612	51215-250-000	49	04604	53124-250-000	53	04717	53172-268-010	43
04310	50113-250-300	99	04609	51232-250-000	49	03083	53163-205-010	95	45		
04311	50114-250-310	99	04607	51331-250-000	49	04719	53163-271-000	97	03077	53175-205-010	43
04319	50206-262-000Z	61	04610	51333-250-000	49	08185	53200-257-000Z	53		53175-271-000	43
04320	50206-271-000Z	61	04627	51344-250-000	49	04589	53200-259-000B	53	45		
04322	50301-253-305	61	04630	51345-250-000	49	04598	53211-253-305	53		53175-272-000	45
04324	50302-250-305	61	04638	51349-250-000	49	04600	53212-250-305	53	03078	53178-205-010	43

INDEX

<u>H/C</u>	<u>Part Number</u>	<u>Page</u>	<u>H/C</u>	<u>Part Number</u>	<u>Page</u>	<u>H/C</u>	<u>Part Number</u>	<u>Page</u>	<u>H/C</u>	<u>Part Number</u>	<u>Page</u>
	53178-271-000	43,		87122-279-810	59	05139	90117-257-000	45,	08276	90427-259-000	35
45			03463	88110-200-000	47	53			04028	90431-259-010	7
	53178-272-000	45	05258	88110-257-810	95	08907	90117-271-000	53	04025	90432-259-000	17
11754	53180-028-670	45	03464	88120-200-810	47	05133	90119-253-000	77	04026	90441-259-000	5
18278	53190-216-670	43,	05260	88120-257-810	95	05134	90121-250-000	77	11903	90445-259-000	13
45			05264	88131-257-810	95	05138	90123-250-010	53	04021	90481-250-000	17
18279	53190-286-670	43,	05265	88132-257-810	95	05143	90124-268-000	95,	04022	90481-259-000	19
45			05230	89010-259-000	73	97			08086	90482-259-000	5
03087	53192-205-000	43	05234	89010-271-000	73	05144	90125-250-020	49	04029	90483-259-000	17
04725	53192-268-000	45	03449	89101-200-000	73	05146	90126-250-000	83	03751	90485-259-000	31
04858	61100-271-000Z	53		89201-222-000	73	05148	90127-253-000	77	03418	90514-205-000	89
04864	61114-250-000	53	08938	89201-259-000	73	05152	90128-250-000	67	05213	90524-250-000	89
04862	61191-250-000	53	05239	89202-259-000	73	05154	90133-253-010	77	05208	90527-250-000	81
04863	61191-271-000	53	18165	89216-028-010	73	05160	90147-250-000	53	05209	90528-250-000	81
	61301-262-000Z	53	18778	89216-041-010	73	05161	90148-250-000	93	05210	90529-250-000	59,
04694	61301-271-000Z	53	03454	89231-200-000	73	05162	90149-250-000	49	85		
04580	77200-259-810A	63	05252	89235-253-000	73	05163	90151-259-000	67	05211	90532-257-000	53
04578	77200-259-810D	63	05267	89421-253-000	63	05171	90157-259-000	71	03698	90601-259-000	11,
04579	77200-259-810E	63	05268	89422-253-000	63	05172	90158-259-000	71	39		
04581	77200-259-810Q	63	05269	89423-253-000	63	11951	90158-271-000	71	03920	90602-250-000	23
04583	77200-272-010A	63	03701	90008-259-000	11	05200	90168-250-010	59	08010	90602-259-010	19
04582	77200-272-010D	63	04019	90009-259-000	13	03699	90205-259-000	11	05198	90652-253-000	77
04585	77200-272-010E	63	03720	90012-258-000	11	03700	90205-259-010	11	00676	90654-700-000	31
04584	77200-272-010Q	63	11971	90026-259-000	35	04013	90206-250-000	13	03985	90661-250-000	27
04586	77124-254-010	63	04003	90028-259-000	25	04015	90231-259-010	7	03511	90701-259-010	9,
04587	77226-272-010	63	03998	90029-250-000	27	04014	90241-259-000	17	15		
04433	83500-259-000Z	73	04004	90031-259-010	15	04016	90281-259-000	5		90703-200-000	31
08089	83500-271-000Z	73	04005	90031-259-020	15	05176	90304-250-020	53	07399	90704-259-000	35
04436	83530-259-000Z	73	14142	90045-259-000	3	05179	90305-250-000	83	03509	90705-259-020	9,
08090	83530-271-000Z	73	04011	90062-259-000	15	05181	90306-250-000	89	15		
08092	83531-271-300	73	04008	90063-259-000	15	05184	90307-250-000	89		90706-259-000	15
04432	83550-259-000	73,	04002	90081-253-000	15	05185	90308-250-000	77	03592	90707-259-000	3
101			04001	90089-259-000	19		90321-268-000	45	04018	90741-253-000	7
08088	83550-271-000	73,	05112	90101-254-000	63	24127	90321-315-670	47	05223	90752-250-000	85
101			05113	90101-272-000	63	05193	90351-250-000	85	04031	91001-259-010	7
04438	83600-259-000Z	101	05115	90105-259-000	61	05192	90353-250-000	49	04033	91002-259-010	9
07253	83600-259-010Z	101	05124	90107-250-000	81	21834	90407-231-000	103	04035	91003-259-000	23
	84701-271-000Z	61	05127	90108-259-000	67	03529	90407-259-000	31,	04036	91004-259-000	23
24442	84701-271-305Z	61	03362	90114-205-000	43	103			05328	91006-300-008	89
05253	87101-271-000	55	05130	90114-268-020	43,	21834	90407-231-000	31		91101-268-000	9
19998	87121-230-010	59	45			04023	90416-250-000	25	04038	91102-253-000	23
	87121-279-810	59	11950	90116-271-000	61,	04020	90418-253-000	25	04037	91103-259-000	35
19999	87122-230-010	59	71			04024	90423-250-000	27	04046	91201-259-000	9

INDEX

<u>H/C</u>	<u>Part Number</u>	<u>Page</u>	<u>H/C</u>	<u>Part Number</u>	<u>Page</u>	<u>H/C</u>	<u>Part Number</u>	<u>Page</u>	<u>H/C</u>	<u>Part Number</u>	<u>Page</u>
07642	91201-283-000	25	05433	92000-06025-02	43,	05888	92700-08267-35	15		94001-06000	5,
04041	91202-250-000	21,	47			05397	92800-12000	31	13, 17, 55, 61, 63, 75, 79		
23			05435	92000-06030	17	05668	93500-03006	37	15606	94001-06000-05	5,
04040	91203-259-000	23	05438	92000-06035	33	05673	93500-03010-02	59	13, 17, 55, 61, 63, 71, 75, 79		
	91204-200-000	25	05441	92000-06040	17,	05690	93500-04010	93	05802	94001-06020	43,
04043	91204-259-000	39	99			05712	93500-05010	55	47		
02709	91205-200-000	27	05444	92000-06045	27,	05713	93500-05012	37,		94001-08000	17,
04047	91205-259-000	23	77			39			61, 65, 69, 95		
04044	91208-259-000	37	05447	92000-06050	17	05717	93500-05016	75		94001-10000	55,
05221	91251-250-000	85	05450	92000-06065	37	05718	93500-05016-02	95	61, 69		
03528	91301-250-000	15,	05452	92000-06070	17,	05721	93500-05020	97		94002-06000	101
103			37			05726	93500-05025	75	18103	94002-06000-05	73,
03589	91301-253-000	3,	05453	92000-06075	17	05727	93500-05025-02	95	101		
103				92000-08012	59	05742	93500-06012	25,		94002-10000	49,
09956	91301-259-000	19,	18102	92000-08012-0A	59	37			69, 79, 89		
103				92000-08016	63,	05743	93500-06012-02	49,	15698	94002-10000-05	49,
03591	91302-250-010	3,	69			91			69, 79, 89		
103			14543	92000-08016-0A	63,	05745	93500-06016	33	05785	94021-04020	93
03530	91302-259-000	19	69			05747	93500-06018	5,	05789	94021-06020	43
03590	91303-259-000	3,		92000-08020	63	39			05791	94021-08020	43,
103			17172	92000-08020-0A	63	05749	93500-06020	27,	47, 63		
03759	91304-259-010	31,		92000-08025	49,	37, 61			05795	94021-12020	81
103			63, 69			05753	93500-06025	59	11468	94030-08000	17,
03868	91305-259-000	23,	15935	92000-08025-0A	49,	05755	93500-06030	27	61, 65, 69, 95		
103			63, 69			05757	93500-06035	19	22302	94030-10000	55,
11904	91306-259-000	13		92000-08028	69	05761	93500-06040	27	61, 69, 71		
00272	91309-700-010	19	15514	92000-08028-0A	69	05763	93500-06045	21	05904	94101-04000	91
05225	91253-250-000	89		92000-08030	49,	05768	93500-06060	21	05905	94101-05000	39
05226	91254-253-000	89	55			05773	93500-06075	21	05907	94101-06000	5,
07371	08105-25900	63	20886	92000-08030-0A	49,	05576	93600-06012	89	17, 29, 33, 37, 55, 63, 75,		
05398	92000-04012	61	55			05579	93600-06016	85	79, 91, 95		
05415	92000-06008	59,	05522	92000-10048	61	05580	93600-06018	25	05908	94101-06200	43
71, 77			10868	92500-08058-02	47,	05584	93600-06025	37	05909	94101-08000	17,
05419	92000-06012	17,	53			05604	93700-03030-02	93	63, 95		
23, 25, 33, 53, 61, 73,		101	08899	92500-08062-02	53	05607	93700-03060-02	93	05910	94101-08200	43,
05421	92000-06014	63	05391	92500-10020-02	79	05627	93700-05016	27	47		
05423	92000-06016	19,	05866	92700-06035	3	05636	93700-05030	39	05911	94101-10000	71,
37, 63, 95			07407	92700-06038-10	5	05647	93700-06016	21	79, 85		
05424	92000-06016-02	79	05874	92700-06103	17	05651	93700-06020	63	05913	94101-12000	79
05427	92000-06020	33,	05876	92700-06120	17	05796	94001-03000	91	05894	94111-03000	37,
37, 85, 89			08112	92700-08060	53	05798	94001-04000	55	91		
05432	92000-06025	13,	05882	92700-08096-30	15	05799	94001-05000	95,	05895	94111-04000	93
25			05887	92700-08262-35	15	97					

INDEX

<u>H/C</u>	<u>Part Number</u>	<u>Page</u>	<u>H/C</u>	<u>Part Number</u>	<u>Page</u>	<u>H/C</u>	<u>Part Number</u>	<u>Page</u>	<u>H/C</u>	<u>Part Number</u>	<u>Page</u>
05897	94111-06000	13,	25804	96201-30001	27,						
		17, 33, 37, 51, 55, 61, 65,	49, 85, 89								
		79, 99, 101	07990	96211-08000	27,						
05898	94111-08000	65,	61								
		69, 71	05893	96211-10000	29						
05900	94111-10000	61,	21605	96220-40100	9						
		71, 79	04779	97259-411021	83						
05902	94111-12000	55,	04956	97287-521041	87						
		79	04789	97875-4110001	83						
	94201-16150	69,	04966	97924-521011	87						
		79	05919	98056-60410	13						
05832	94201-16200	79	12115	98066-58714	13						
05833	94201-16250	69,	21628	98200-11500	99						
		79	06924	99001-10140	73						
05834	94201-20150	25	07989	99001-17190	73						
05835	94201-20200	17	07988	99002-15000	73						
05838	94201-20350	17,	05242	99003-10000	73						
		25	05243	99003-20000	73						
06933	94301-10140	15,	05244	99003-30000	73						
		31	05245	99003-40000	73						
08098	94301-10200	15	05246	99003-50000	73						
21338	94510-14000	15	27672	99004-16170	73						
35889	94001-50000-90	57	04088	99102-11004	41						
	95001-50100	57	04089	99102-11504	41						
	95001-50450	57	04090	99102-12004	41						
	95001-70170	57	04091	99102-12504	41						
10456	95001-70330	57	04092	99102-13004	41						
05344	95002-50000	41,	04063	99134-03504	41						
		57	04064	99134-03804	41						
05359	95002-70000	57	04065	99134-04004	41						
25568	95011-31000	77	04066	99134-04204	41						
25569	95011-40000	25									
25562	95011-52000	27									
25775	95015-32000	43,									
		67									
25776	95015-42000	43,									
		45, 67									
25778	95015-62000	77									
33156	95015-81000	77									
05318	96100-60040	13									
05334	96100-63030	89									
08418	96140-63020	85									
	96201-30000	27,									
		49, 85, 89									



HONDA